



0066646

Department of Energy
Richland Operations Office
P.O. Box 550
Richland, Washington 99352

05-AMRC-0436

SEP 13 2005

Mr. Richard M. Benson, P.E.
Large Onsite Program Lead
State of Washington, Department of Health
1500 West Fourth Avenue, Suite 403
Spokane, Washington 99204-1656

RECEIVED
SEP 20 2005

EDMC

Dear Mr. Benson:

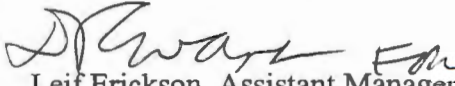
**CERTIFICATION OF COMPLETION FOR THE 100-F AREA FIELD REMEDIATION
CLOSURE TEMPORARY SEWAGE HOLDING TANKS**

Enclosed are two Large Onsite Sewage System Construction Report Certification of Completions, and the "As built" drawings for the two installed temporary sewage holding tanks at the 100-F Area (Attachments 1 and 2). These documents have been stamped by a professional engineer and are being submitted as required by your approval letter. These two sewage systems are necessary to support cleanup operations at 100-F, as well as other adjacent areas.

Operation of the two sewage systems began upon the installation and testing as previously agreed to by the U.S. Department of Energy, Richland Operations Office and the State of Washington Department of Health.

If you have any questions, please contact Chris Smith, of my staff, on (509) 372-1544.

Sincerely,


Leif Erickson, Assistant Manager
for the River Corridor

AMRC:DCS

Attachments

cc w/attachs:

J. W. Donnelly, WCH

J. G. Woolard, WCH

Administrative Record (100-FR-1 and 100-FR-2 Operable Unit)

cc w/o attachs:

G. Bohnee, NPT

S. Harris, CTUIR

R. Jim, YN

Attachment 1

LOSS Construction Report

As required by WAC 246-272-08001(7): Before a new Large On-site Sewage System (LOSS) is used and within 60 days following the completion of construction, a licensed engineer must stamp, sign, and submit to the Department a **LOSS Construction Report** (on a form provided by the Department) and **"As-built"** or **"Record"** drawings of the system. The report shall state that the project is constructed and substantially completed in accordance with the approved construction documents; and in the opinion of the engineer, based on information available, the installation and testing of the system was carried out per Department rules. Also before the LOSS is used, the owner shall submit an **Operation and Maintenance Manual** developed by a licensed engineer for the installed LOSS to the Department for approval and obtain a **LOSS Operating Permit** from the Department. **Permit will be issued upon receipt of the Construction Report.**

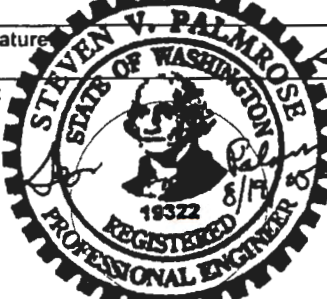
Please note:

- If a project is being completed in stage construction, attach a map and description of portion of project being certified as being completed as approved on date given below.
- As future portions of staged construction projects are completed, each must be certified as required by WAC 246-272-08001(7).
- Additional Construction Report forms are available upon request from the DOH office below.

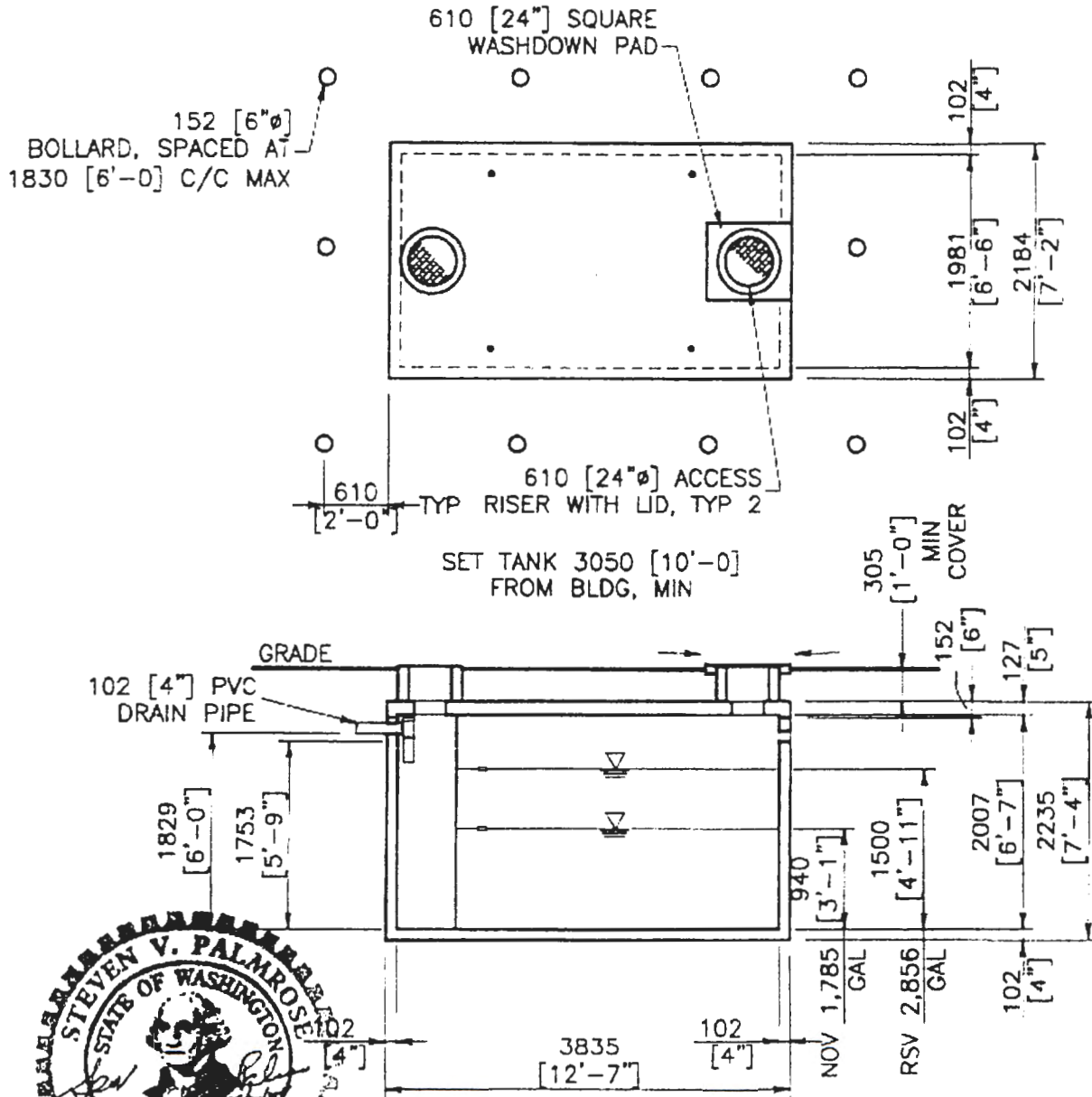
Name of Project Served By Sewer System: 100 F REMIDAIL ACTION PROJECT M0-780	Date Plans and Specifications Approved by DOH: June 6, 2005
LOSS Owner's Name: MARY F. JARVIS, PH.D. U.S. DOE (RICHLAND OPERATIONS OFFICE)	Date Project or Portions Thereof Completed: August 17, 2005
Mailing Address: 825 JADWIN AVE, MSIN A5-58	Name of County: Benton County
City, State, Zip Code: RICHLAND, WA 99352	

Project Name and Descriptive Title:
TEMPORARY HOLDING TANK SYSTEM TO SERVE M0-780 FOR 100 F REMIDAIL ACTION PROJECT

The undersigned engineer or his authorized agent has inspected the above-described project, which as to layout, size and type of pipe, valves and materials, and other designed physical facilities has been constructed in accordance with the plans and specifications approved by the Department of Health, and in the opinion of the engineer, the installation and testing of the system was carried out in accordance with the specifications approved by the Department for the project.

Engineer's Signature: <i>Steven V. Palmrose</i>	Date Signed: 8/19/05
	

Please return completed form to:
EXPIRES: 02-05-07
**DOH Environmental Health & Safety
 LARGE ON-SITE PROGRAM
 1500 West Fourth Avenue, Suite 403
 Spokane, WA 99204-1656**



EXPIRES: 02-05-07

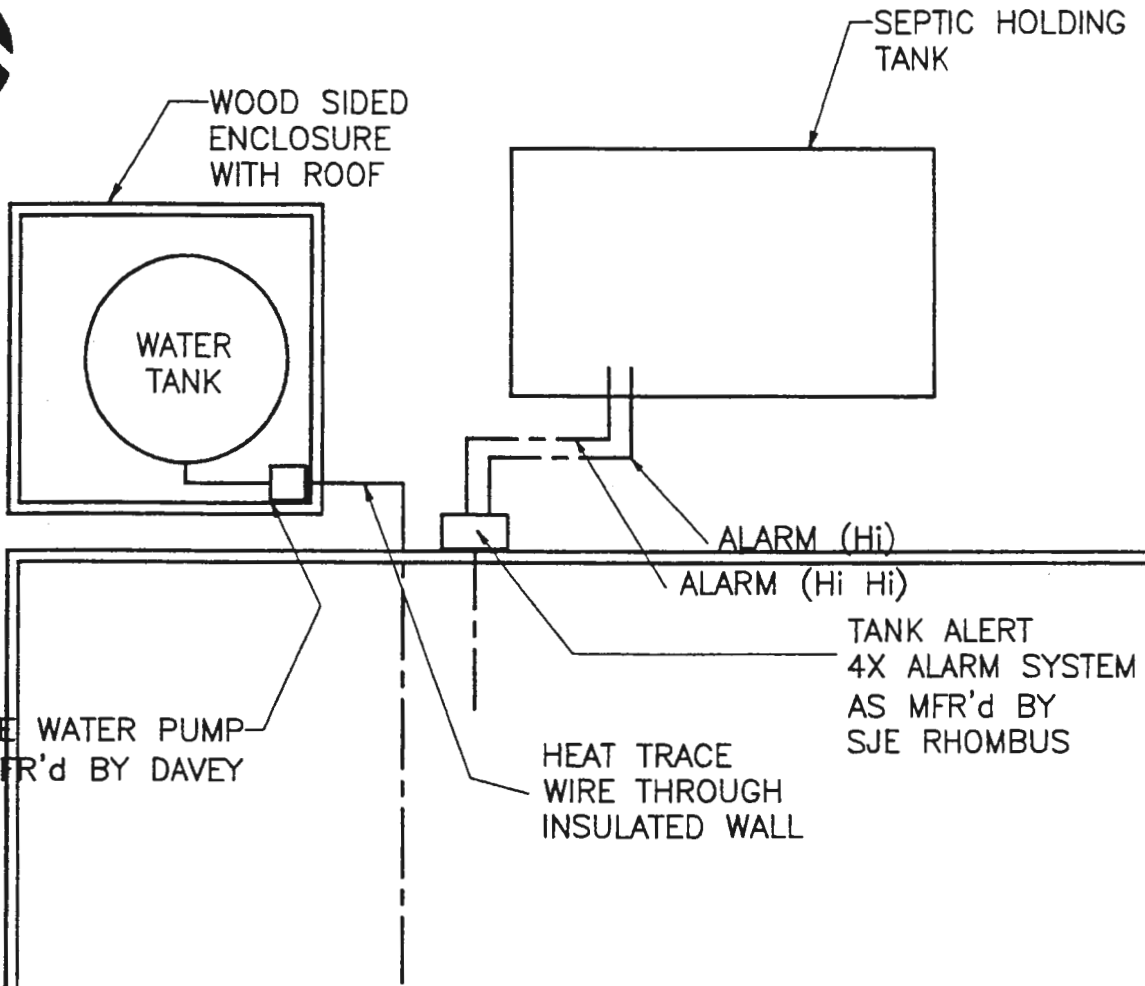


MEIER Enterprises, Inc.
8697 Gage Boulevard Kennewick, WA 99336
phone 509.735.1589 fax 509.783.5075

SCALE $1/4" = 1'$
DRAWN JHP
APPROVED RWB
DATE 6/15/05

DWG. NO.
SK-RR2
JOB NO. 4617.0

TITLE **SEWAGE HOLDING TANK & SECTION**



NEW 5-WIDE
TRAILER
(18.3x18.3M)
MO-780



EXPIRES: 02-05-07



MEIER Enterprises, Inc.

8697 Gage Boulevard Kennewick, WA 99336
phone 509.735.1589 fax 509.783.5075

SCALE 3/16" = 1'

DRAWN JHP

APPROVED RWB

DATE 6/15/05

DWG. NO.

SK-RR1

JOB NO. JOB

TITLE **TOILET TRAILER, WATER AND SEWAGE TANKS**

Attachment 2

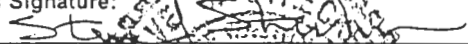
As required by WAC 246-272-08001(7): Before a new Large On-site Sewage System (LOSS) is used and within 60 days following the completion of construction, a licensed engineer must stamp, sign, and submit to the Department a **LOSS Construction Report** (on a form provided by the Department) and "As-built" or "Record" drawings of the system. The report shall state that the project is constructed and substantially completed in accordance with the approved construction documents; and in the opinion of the engineer, based on information available, the installation and testing of the system was carried out per Department rules. Also before the LOSS is used, the owner shall submit an **Operation and Maintenance Manual** developed by a licensed engineer for the installed LOSS to the Department for approval and obtain a **LOSS Operating Permit** from the Department. **Permit will be issued upon receipt of the Construction Report.**


Please note:

- If a project is being completed in stage construction, attach a map and description of portion of project being certified as being completed as approved on date given below.
- As future portions of staged construction projects are completed, each must be certified as required by WAC 246-272-08001(7).
- Additional Construction Report forms are available upon request from the DOH office below.

Name of Project Served By Sewer System: 100F; MO-781 Trailer	Date Plans and Specifications Approved by DOH: June 6, 2005
LOSS Owner's Name: FE&C	Date Project or Portions Thereof Completed: 7/13/05
Mailing Address: 3100 George Washington Way, Suite 106	Name of County: Benton
City, State, Zip Code: Richland, Washington 99352	
Project Name and Descriptive Title: Temporary Sewage Holding Tank for 1200F Trailer MO-781	

The undersigned engineer or his authorized agent has inspected the above-described project, which as to layout, size and type of pipe, valves and materials, and other designed physical facilities has been constructed in accordance with the plans and specifications approved by the Department of Health, and in the opinion of the engineer, the installation and testing of the system was carried out in accordance with the specifications approved by the Department for the project.

Engineer's Signature: 	Date Signed: 7/13/05
--	--------------------------------

Engineer's Seal: 

Please return completed form to **DOH 06**

**DOH Environmental Health & Safety
LARGE ON-SITE PROGRAM
1500 West Fourth Avenue, Suite 403
Spokane, WA 99204-1656**



north

SEPTIC HOLDING TANK

HEAT TRACE WIRE THROUGH INSULATED WALL

WOOD SIDED ENCLOSURE WITH ROOF

WATER TANK

POTABLE WATER PUMP AS MFR'd BY DAVEY

ALARM (Hi)
ALARM (Hi Hi)

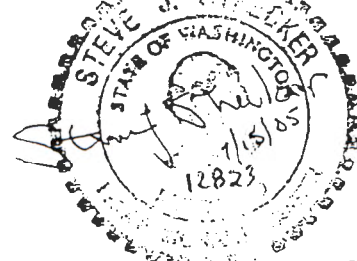
TANK ALERT
4X ALARM SYSTEM
AS MFR'd BY
SJE RHOMBUS

E.P.

25'-0"

11'-10"

PREFABRICATED TOILET TRAILER



12/06/06



MEIER Enterprises, Inc.

8697 Coge Boulevard Kennewick, WA 99336
phone 509.735.1589 fax 509.783.5075

SCALE $3/16" = 1'$

DWG. NO.

DRAWN JHP

SK-RR1

APPROVED RWB

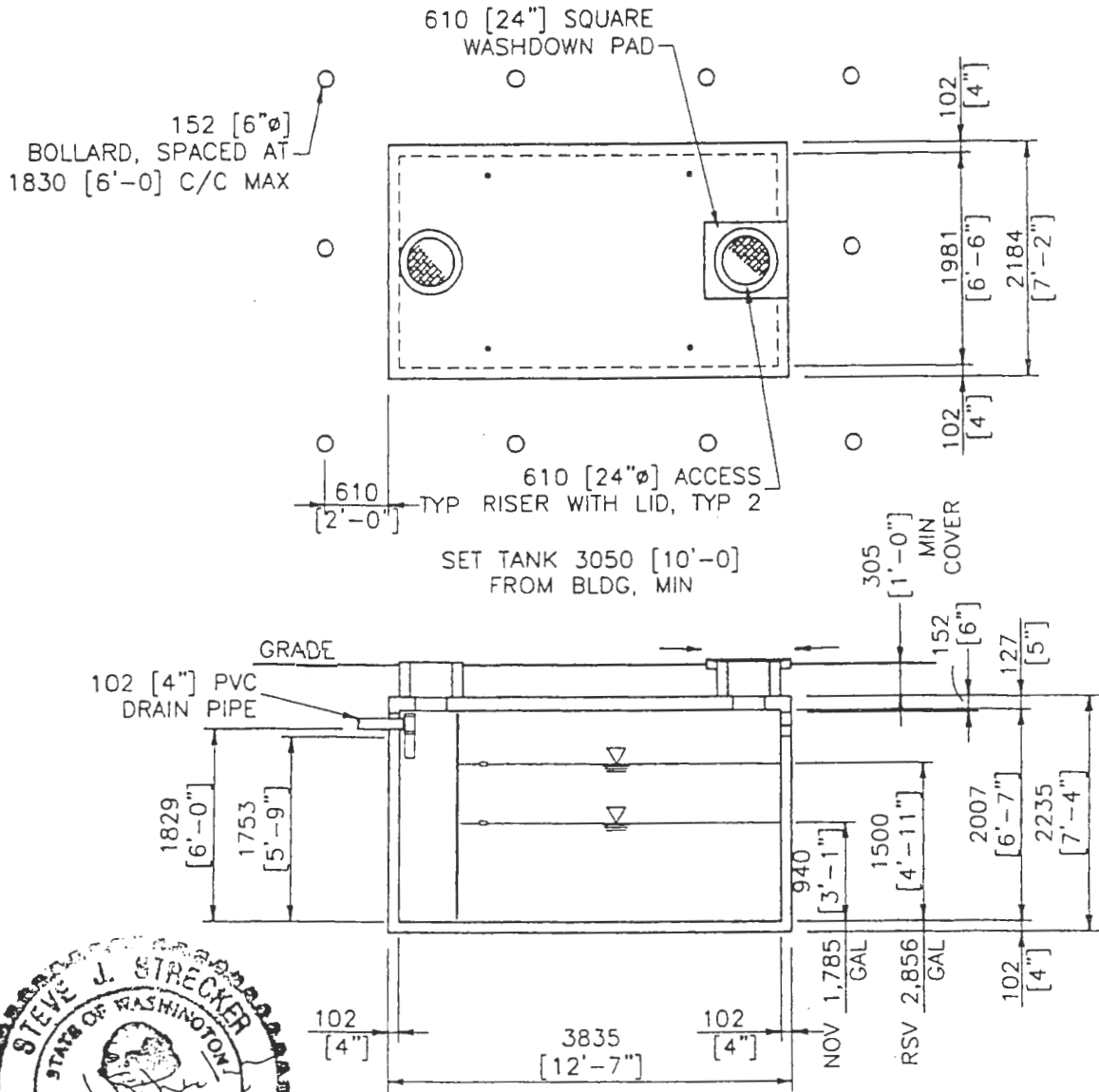
TITLE TOILET TRAILER, WATER AND SEWAGE TANKS

DATE 6/15/05

JOB NO. JOB



north



MEIER Enterprises, Inc.
 8697 Gage Boulevard Kennewick, WA 99336
 phone 509.735.1589 fax 509.783.5075

SCALE $1/4" = 1'$
 DRAWN JHP
 APPROVED RWB
 DATE 6/15/05

DWG. NO.
SK-RR2
 JOB NO. 4617.0

TITLE **SEWAGE HOLDING TANK & SECTION**