

START

9513358.0778

0040925



Mr. John Grantham
State of Washington
Department of Ecology
Nuclear & Mixed Waste Program
P. O. Box 47600
Olympia, WA 98504-7600

FLUOR DANIEL, INC.

Date: June 30, 1994

Reference: Hanford Waste Vitrification Plant
DOE Contract DE-AC06-86RL10838
Fluor Contract 8457

Transmittal No.: WDOE-956

Dear Mr. Grantham:

TRANSMITTAL

We enclosed 2 copy of the items listed below. These are issued per US-DOE request.

Approval Reference Review and Comment DCN-RFC

Response due to Fluor: N/A
Responds to: A170 PACKAGE

NUMBER	REV	DATE	TITLE
DCN - 0188	2	6/22/94	<p>DCN TITLE: ADD PAD MOUNTED GEAR TO PRIMARY 13.8kV FEEDER FOR OAB/TOB BUILDING</p> <p>"RELEASED FOR CONSTRUCTION"</p>

Reference: FRP-1462, FUP-880

Distribution:

R. L. Long - DOE-RL, w/0
TWP/AME Corresp Cntrl Cntr MSIN A5-10
(A170 PACKAGE), w/0

P. Felise - WHC-RL (MSIN G6-06), w/1
Environmental Data Management Center
(MSIN H6-08), w/1

D. Duncan - US EPA, Region X, w/0

M. D. Talbot, WHC - w/0

Very truly yours,

Nazaj Eshraghi
R.S. Foulter
Project Director

RSP:AMc:KKS:fps





FLUOR DANIEL

US DEPARTMENT OF ENERGY
HANFORD WASTE VITRIFICATION PLANT

DESIGN CHANGE NOTICE

DCN - 0188

REV 2

PAGE 1 OF 13

DCN TITLE *ADD PAD MOUNTED
GEAR TO PRIMARY 13.8 KV
FEEDER FOR OAB/TOB
BUILDING*

DATE INITIATED
5/20/94

PACKAGE NO
A170

SECTION 1: DESCRIPTION OF CHANGE

*ADD PAD MOUNTED GEAR NORTH OF MH-P51 FOR PRIMARY 13.8 KV
FEEDER FOR OAB/TOB BUILDING.*

REV 1 CHANGE

*PAGE 8; REVISED CONDUIT CALLOUTS
PAGE 10; ADDED CLOUD TO NOTE #5
PAGE 11; REVISED ELECTRICAL DIRT
PAGE 12; REVISED CONDUIT STRIP-UP SPACING
PAGE 13; REVISED CONCRETE PAD & ANCHORING OF PAD MOUNTED GEAR*

REV 2 CHANGE

*PAGE 8; ADDED LIGHTNING ARRESTER & NOTE #7
PAGE 10; ADDED LIGHTNING ARRESTER*

*NOTE: THE ABOVE REV 2 CHANGE WAS IMPOSED BY WESTINGHOUSE
FOR LIST OF AFFECTED DOCUMENTS, SEE SECTIONS 6 AND 7. ELECTRIC UTILITIES.*

CAUSE OF CHANGE

- Field Change Request
- Supplier Disposition
- Deficiency Report
- Design Development
- Change Request
- Other: W/C DIRECTION

HWVP-1109
Initiating Document(s):

SECTION 2: EVALUATION

ARE ANY OF THE FOLLOWING AFFECTED?

IF "YES" REVIEW
REQUIRED BY:

REVIEWER
COMMENTS/SIGNATURE/DATE

- WAPA NO YES
- QUALITY LEVEL 1 NO YES
- SAFETY CLASS 1 OR 2 NO YES
- SYSTEMS ANALYSES NO YES
- MULTI-DISCIPLINE NO YES

STRUCTURAL

NO COMMENTS *D. J. [Signature]* 5/20/94

DCN Evaluated by:

Systems *Reviewed by [Signature]* Others

SECTION 3: APPROVED FOR CONSTRUCTION

A. McHESTER / K. K. [Signature] 5/20/94
Originator Date

[Signature] 5/20/94
Project Resident Engineer Date

SECTION 4: CONCURRENCE

[Signature] 6/13/94
Project Management Date

Thomas E. Savage 6-15-94
Systems Date

[Signature] 6-14-94
Independent Safety Date

[Signature] 6-16-94
Quality Assurance Date

Francis Stokes 6/16/94
Configuration Management Date

SECTION 5: RELEASED FOR CONSTRUCTION

PE STAMP REQUIRED? NO YES


[Signature] 6/23/94
WHG Date

[Signature] 6-22-94
UCAT Date

DOE Date

COMMENTS:

9513358.0780

 FLUOR DANIEL US DEPARTMENT OF ENERGY HANFORD WASTE VITRIFICATION PLANT DESIGN CHANGE NOTICE	DCN - 0188	REV 2	DISCIPLINE ELECTRICAL	PKG. NO. A170	PAGE 2
	PREPARED BY: <i>H. SPRUENBLI</i>			Date: <i>05/16/94</i>	
	DISCIPLINE ENGINEER: <i>Y. SHANE</i>			Date: <i>05/16/94</i>	

SECTION 6: CONSTRUCTION DOCUMENTS AFFECTED

DOCUMENT NUMBER	SHT/PAGE	REV NO	DOCUMENT NAME	INCLD Y/N	DESCRIPTION OF CHANGE
<i>SPECIFICATION B-595-C-AMO -16111</i>					
<i>ATTACHMENT A</i>	<i>1, 2</i>	<i>0</i>	<i>CONDUIT SCHEDULE</i>	<i>Y</i>	<i>ADDED CONDUITS TO & FROM MH-PSI TO PAD MOUNTED GEAR</i>
<i>ATTACHMENT B</i>	<i>1</i>	<i>0</i>	<i>CABLE SCHEDULE</i>	<i>Y</i>	<i>ADDED CABLES TO PAD MOUNTED GEAR</i>
<i>H-2-122126</i>	<i>1</i>	<i>3</i>	<i>ELECTRICAL CONSTRUCTION UTILITIES OVERALL DISTRIBUTION PLAN</i>	<i>Y</i>	<i>ADDED PAD MOUNTED GEAR</i>
<i>H-2-122134</i>	<i>1</i>	<i>3</i>	<i>ELECTRICAL CONSTRUCTION UTILITIES DETAILS</i>	<i>Y</i>	<i>ADDED CONDUIT ENTRANCE TO MH-PSI. REVISED ONE LINE. ADDED INSTALLATION DIAGRAM</i>
<i>REV 2 CHANGE</i>					<i>ADDED LIGHTNING ARRESTERS</i>
<i>H-2-122134</i>	<i>3</i>	<i>3</i>	<i>ELECTRICAL CONSTRUCTION UTILITIES DETAILS</i>	<i>Y</i>	<i>ADDED PAD WITH STUB-UPS FOR PAD MOUNTED GEAR</i>
<i>REV 1 CHANGE</i>					

SECTION 7: NON-CONSTRUCTION DOCUMENTS AFFECTED

This section references affected items such as P&IDs or calculations/analyses, but they are generally not included in DCN package.

DOCUMENT NUMBER	SHT/PAGE	REV NO	DOCUMENT NAME	DESCRIPTION OF CHANGE
-----------------	----------	--------	---------------	-----------------------

NONE

9513358-0781



FLUOR DANIEL

US DEPARTMENT OF ENERGY
HANFORD WASTE VITRIFICATION PLANT

DESIGN CHANGE NOTICE

DCN - 0188	REV 2	DISCIPLINE STRUCTURAL	PKG. NO. A170	PAGE 3
PREPARED BY: H. SPRUENGLI			Date: 05/16/94	
DISCIPLINE ENGINEER: D. SAYLOR			Date: 05/16/94	

SECTION 6: CONSTRUCTION DOCUMENTS AFFECTED

DOCUMENT NUMBER	SHT/PAGE	REV NO	DOCUMENT NAME	INCLD Y/N	DESCRIPTION OF CHANGE
H-2-118063 REV 1 CHANGE	1	2	DISCONNECT SWITCH PAD FOUNDATION	Y	ADDED PAD FOUNDATION FOR PAD MOUNTED GEAR NORTH OF MH-PS1

SECTION 7: NON-CONSTRUCTION DOCUMENTS AFFECTED

This section references affected items such as P&IDs or calculations/analyses, but they are generally not included in DCN package.

DOCUMENT NUMBER	SHT/PAGE	REV NO	DOCUMENT NAME	DESCRIPTION OF CHANGE

Electrical Conduit Schedule for Package Number A170

REV NO.	BLDG NO.	RACEWAY NO.	FOR	FROM		TO		RACEWAY DATA			INCLUDED CABLE NOS.
				EQUIPMENT NUMBER OR LOCATION	PLAN DRAWING	EQUIPMENT NUMBER OR LOCATION	PLAN DRAWING	SIZE	TYPE	MATERIAL OF CONSTR	
0	00	P8300	POWER	DD-32A-099	DCN-0090	MH-P50	DCN-0090	4"	COND	PVC	P8300A,B,C
0	00	P8300A	POWER	MH-P50	DCN-0090	MH-P51	DCN-0090	4"	COND	PVC	P8300A,B,C
0	00	P8300B	POWER	MH-P51	DCN-0090	XT-32A-099	DCN-0090	4"	COND	PVC	P8300A,B,C
0	00	P8301	SPARE	POLE 105	DCN-0090	MH-P50	DCN-0090	4"	COND	PVC	P8304A,B,C DCN-0188
0	00	P8301A	SPARE	MH-P50	DCN-0090	MH-P51	DCN-0090	4"	COND	PVC	
0	00	P8301B	SPARE	MH-P51	DCN-0090	XT-32A-099	DCN-0090	4"	COND	PVC	
0	00	P8302	SPARE	POLE 105	DCN-0090	MH-P50	DCN-0090	4"	COND	PVC	
0	00	P8302A	SPARE	MH-P50	DCN-0090	MH-P51	DCN-0090	4"	COND	PVC	
0	00	P8302B	SPARE	MH-P51	DCN-0090	XT-32A-099	DCN-0090	4"	COND	PVC	
0	00	P8303	POWER	XT-32A-099	DCN-0090	SB-32A-099	DCN-0090	5"	COND	RGS	P8301A,B,C,G,H
0	00	P8304	POWER	XT-32A-099	DCN-0090	SB-32A-099	DCN-0090	5"	COND	RGS	P8302A,B,C,G,H
0	00	P8305	SPARE	XT-32A-099	DCN-0090	SB-32A-099	DCN-0090	5"	COND	RGS	
0	00	P8306	SPARE	XT-32A-099	DCN-0090	SB-32A-099	DCN-0090	5"	COND	RGS	
0	00	P8307	POWER	XT-32A-099	DCN-0090	SB-32A-099	DCN-0090	5"	COND	RGS	P8303A,B,C,G,H
0	00	P8308	SPARE	SB-32A-099	DCN-0090	STUB-OUT	DCN-0090	5"	COND	RGS	
0	00	P8309	SPARE	SB-32A-099	DCN-0090	STUB-OUT	DCN-0090	5"	COND	RGS	
0	00	P8310	SPARE	SB-32A-099	DCN-0090	STUB-OUT	DCN-0090	5"	COND	RGS	

9513558.0782

A170-16111

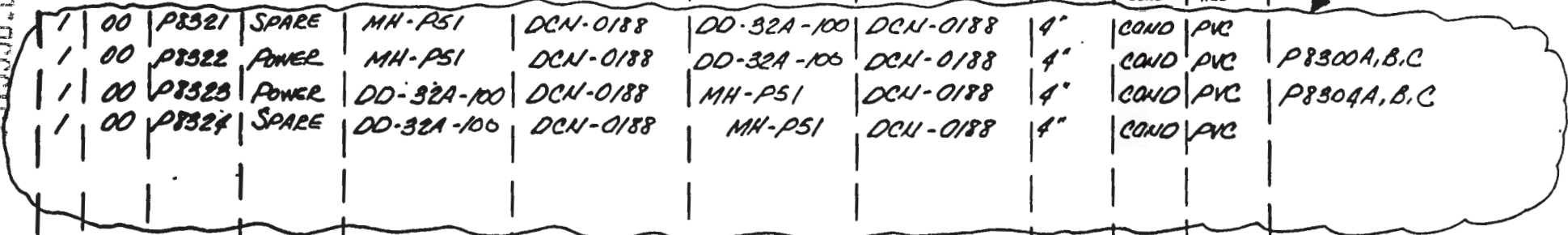
DCN-0188 Rev 2
 PAGE 4 OF 13

Electrical Conduit Schedule for Package Number A170

REV NO.	BLDG NO.	RACEWY NO.	FOR	FROM		TO		RACEWAY DATA			INCLUDED CABLE NOS.
				EQUIPMENT NUMBER OR LOCATION	PLAN DRAWING	EQUIPMENT NUMBER OR LOCATION	PLAN DRAWING	SIZE	TYPE	MATERIAL OF CONSTR	
0	00	P8311	SPARE	SB-32A-099	DCN-0090	STUB-OUT	DCN-0090	5"	COND	RGS	
0	00	P8312	SPARE	SB-32A-099	DCN-0090	STUB-OUT	DCN-0090	5"	COND	RGS	
0	00	P8313	SPARE	SB-32A-099	DCN-0090	STUB-OUT	DCN-0090	5"	COND	RGS	
0	00	P8314	SPARE	SB-32A-099	DCN-0090	STUB-OUT	DCN-0090	5"	COND	RGS	
0	00	P8315	SPARE	SB-32A-099	DCN-0090	STUB-OUT	DCN-0090	5"	COND	RGS	
0	00	P8316	SPARE	SB-32A-099	DCN-0090	STUB-OUT	DCN-0090	5"	COND	RGS	
0	00	P8317	SPARE	SB-32A-099	DCN-0090	STUB-OUT	DCN-0090	2"	COND	RGS	
0	00	P8318	SPARE	SB-32A-099	DCN-0090	STUB-OUT	DCN-0090	2"	COND	RGS	
0	00	P8319	SPARE	SB-32A-099	DCN-0090	STUB-OUT	DCN-0090	2"	COND	RGS	
0	00	G8320	SPARE	SB-32A-099	DCN-0090	STUB-OUT	DCN-0090	2"	COND	RGS	
1	00	P8321	SPARE	MH-P51	DCN-0188	DD-32A-100	DCN-0188	4"	COND	PVC	
1	00	P8322	POWER	MH-P51	DCN-0188	DD-32A-100	DCN-0188	4"	COND	PVC	P8300A,B,C
1	00	P8323	POWER	DD-32A-100	DCN-0188	MH-P51	DCN-0188	4"	COND	PVC	P8304A,B,C
1	00	P8324	SPARE	DD-32A-100	DCN-0188	MH-P51	DCN-0188	4"	COND	PVC	

9513358-0783

DCN-0188



Electrical Cable Schedule for Package Number A170

DCN-0188

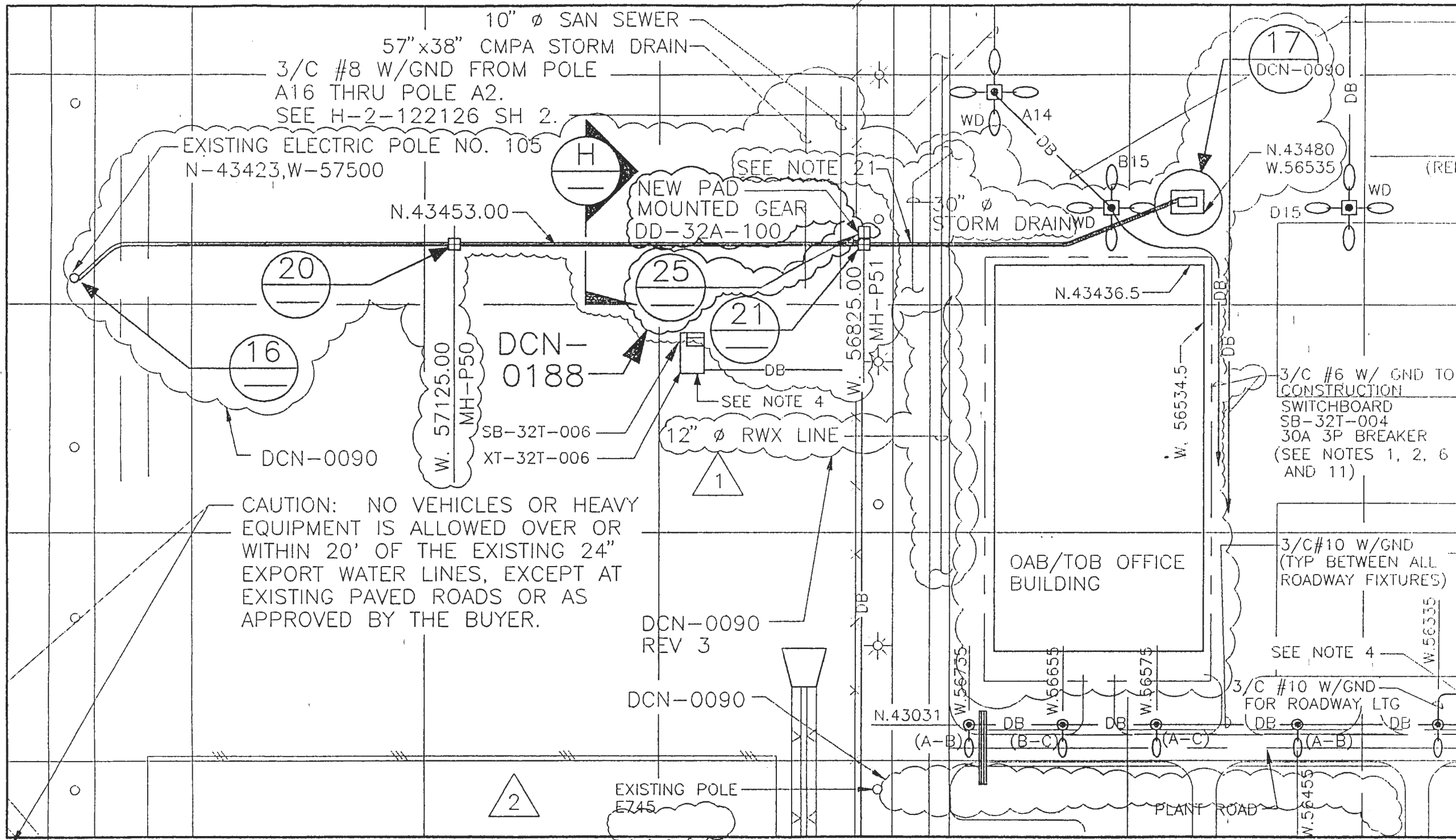
REV NO.	BLDG NO.	CABLE NO.	FROM		TO		CABLE DATA				ONE LINE DIAGRAM NO. H-2-	VIA
			EQUIPMENT NUMBER OR LOCATION	CONNECTION DRAWING	EQUIPMENT NUMBER OR LOCATION	CONNECTION DRAWING	SYS VOLT	NO. COND	SIZE	CABLE CODE		
0	00	P8300A	DD-32A-099		DD-32A-100		15 kV	1	1/0	FS03		P8300, P8300A, P8322
0	00	P8300B	DD-32A-099		DD-32A-100		15 kV	1	1/0	FS03		P8300, P8300A, P8322
0	00	P8300C	DD-32A-099		DD-32A-100		15 kV	1	1/0	FS03		P8300, P8300A, P8322
0	00	P8301A	XT-32A-099		SB-32A-099	DCN-0188	600V	1	750	A207		P8303
0	00	P8301B	XT-32A-099		SB-32A-099		600V	1	750	A208		P8303
0	00	P8301C	XT-32A-099		SB-32A-099		600V	1	750	A209		P8303
0	00	P8301H	XT-32A-099		SB-32A-099		600V	1	750	A206		P8303
0	00	P8301G	XT-32A-099		SB-32A-099		600V	1	4/0	AV02		P8303
0	00	P8302A	XT-32A-099		SB-32A-099		600V	1	750	A207		P8304
0	00	P8302B	XT-32A-099		SB-32A-099		600V	1	750	A208		P8304
0	00	P8302C	XT-32A-099		SB-32A-099		600V	1	750	A209		P8304
0	00	P8302H	XT-32A-099		SB-32A-099		600V	1	750	A206		P8304
0	00	P8302G	XT-32A-099		SB-32A-099		600V	1	4/0	AV02		P8304
0	00	P8303A	XT-32A-099		SB-32A-099		600V	1	750	A207		P8307
0	00	P8303B	XT-32A-099		SB-32A-099		600V	1	750	A208		P8307
0	00	P8303C	XT-32A-099		SB-32A-099		600V	1	750	A209		P8307
0	00	P8303H	XT-32A-099		SB-32A-099		600V	1	750	A206		P8307
0	00	P8303G	XT-32A-099		SB-32A-099		600V	1	4/0	AV02		P8307
0	00	P8304A	DD-32A-100		XT-32A-099		15kV	1	1/0	FS03		P8323 P8300B
0	00	P8304B	DD-32A-100		XT-32A-099		15kV	1	1/0	FS03		P8323 P8300B
0	00	P8304C	DD-32A-100		XT-32A-099		15kV	1	1/0	FS03		P8323 P8300B

951358-0781

A170-16111

DCN-0188

DCN-0188 Rev 2
PAGE 6 OF 13



FLUOR DANIEL	U.S. DEPARTMENT OF ENERGY HANFORD WASTE VITRIFICATION PLANT	DESIGN CHANGE NOTICE		
		DESCRIPTION OF CHANGE: ADD PAD MOUNTED GEAR TO PRIMARY 13.8 KV FEEDER FOR OAB/TOB BUILDING	BASE DOC NO. H-2-122126 SHT/PG. 1 REV. 3 CR NO. HWVP-1109 DISCIPLINE: ELECTRICAL	
PREPARED BY: <i>P. Sprengli</i>	DATE: 5/20/94	DCN - 0188	REV. 2	PAGE 7
DISCIPLINE ENGINEER: <i>K. K. ...</i>	DATE: 5/20/94			

9513358.0786

EXISTING CKT C8-L7

DD-32A-099
LOADBREAK
CUTOUT, 100 AMP

DCN-0188
REV 1

NEW
DD-32A-100
PAD-MOUNTED GEAR

DCN-0188
REV 2

SEE NOTES 1 & 2

DCN-0188
REV 1

EXISTING CABLES P8300A,B,C

NEW CONDUIT
NOTE 3



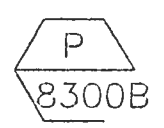
NEW CABLES P8304A,B,C

NEW CONDUIT
NOTE 4



NEW CABLES P8304A,B,C

EXISTING CONDUIT
NOTE 4



MH-P50

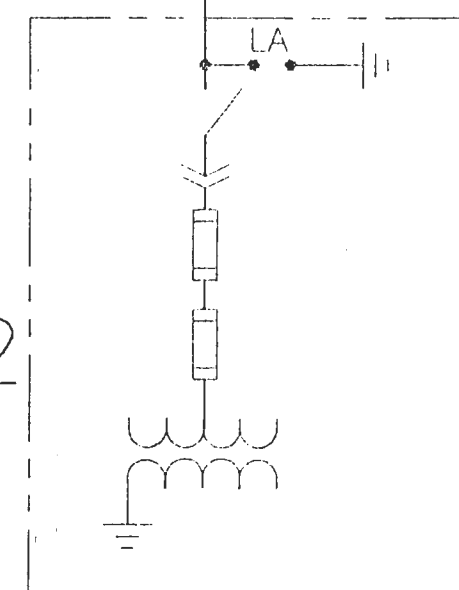
EXISTING
MH-P51

DCN-0188 REV 2

NEW PAD MOUNTED GEAR
INSTALLATION DIAGRAM

DCN-0188 REV 1

DCN-0188

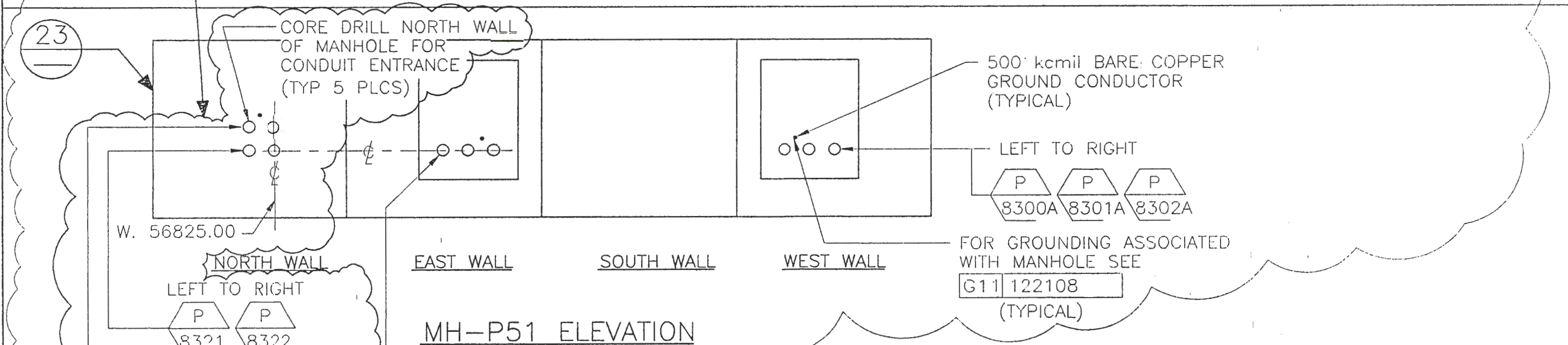
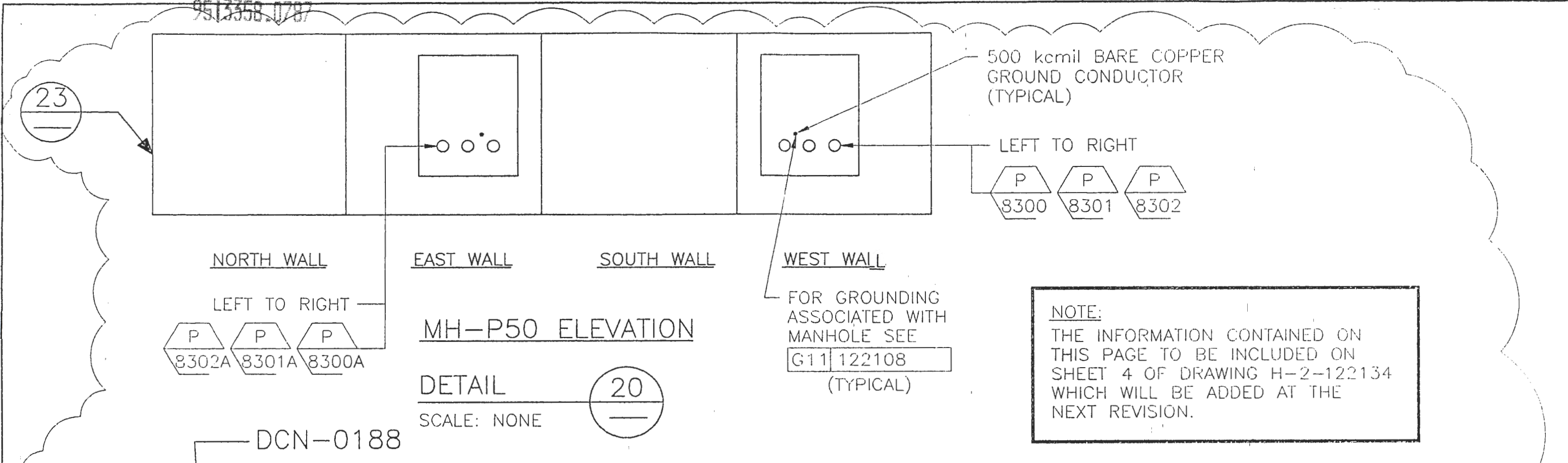


XT-32A-099
OAB/TOB UTILITY
PAD MOUNTED
TRANSFORMER

NOTES:

1. NEW PAD MOUNTED GEAR SHALL BE S & C MODEL PMH-7CN9, 14.4 kV.
2. PAD MOUNTED GEAR SHALL BE INSTALLED AND TESTED IN ACCORDANCE WITH MANUFACTURER'S INSTRUCTIONS AND SPEC SECTIONS B-595-C-A170-16100 AND 16905.
3. PULL BACK EXISTING CONDUCTORS P8300A,B,C @ MH-P51 FROM TRANSFORMER XT-32A-099. CUT CABLES (LENGTH AS REQUIRED) & INSTALL TO NEW PAD MOUNTED GEAR DD-32A-100 IN NEW CONDUIT (P-8322) FOR TERMINATION HARDWARE SEE MATERIAL SPECIFICATION B-595-C-A170-16110.
4. INSTALL NEW CONDUCTORS P8304A,B,C FROM NEW PAD MOUNTED GEAR DD-32A-100 TO TRANSFORMER XT-32A-099 VIA MANHOLE MH-P51
5. CONDUIT & CABLE INSTALLATION SHALL BE PER SPECIFICATION B-595-C-A170-16100.
6. CONDUCTORS P8300A,B,C AND P8304A,B,C SHALL BE TESTED AFTER INSTALLATION IN ACCORDANCE WITH SPECIFICATION SECTION B-595-C-A170-16905.
7. NEW PAD MOUNTED GEAR SHALL BE SUPPLIED WITH A METAL OXIDE SURGE ARRESTER S & C TYPE N9. INSTALL ARRESTER PER MANUFACTURERS INSTRUCTIONS.

FLUOR DANIEL		U.S. DEPARTMENT OF ENERGY HANFORD WASTE VITRIFICATION PLANT		DESIGN CHANGE NOTICE	
DESCRIPTION OF CHANGE: ADD PAD MOUNTED GEAR TO PRIMARY 13.8 kV FEEDER FOR OAB/TOB BUILDING				BASE DOC. NO. H-2-122134 SHT/PG. 1 REV. 3 CR NO. HWVP-1109 DISCIPLINE: ELECTRICAL	
PREPARED BY: <i>[Signature]</i>		DATE: 5/20/94		DCN - 0188	
DISCIPLINE ENGINEER: <i>[Signature]</i>		DATE: 5/20/94		REV 2 PAGE 8	



FLUOR DANIEL	U.S. DEPARTMENT OF ENERGY HANFORD WASTE VITRIFICATION PLANT	DESIGN CHANGE NOTICE	
		DESCRIPTION OF CHANGE: ADD PAD MOUNTED GEAR TO PRIMARY 13.8 kv FEEDER FOR OAB/TOB BUILDING	BASE DOC. NO. H-2-122134 SHT/PG. 1 REV. 3 CR NO. HWVP-1109 DISCIPLINE. ELECTRICAL
PREPARED BY: <i>H. Spurgli</i>	DATE: 5/20/94	DCN - 0188	REV 2
DISCIPLINE ENGINEER: <i>K.K. Borradain</i>	DATE: 5/20/94	PAGE 9	

9513358.0788

OAB/TOB SERVICE ONE LINE DIAGRAM

EXISTING CKT C8-L7

DCN-0188 REV 2

NOTES:

1. UTILITY TRANSFORMER SIZED BY WHC EU, BASED ON A FUTURE DEMAND LOAD OF 500 kVA (REF. RTC-681)
2. TO OAB/TOB SERVICE ENTRANCE EQUIPMENT BY OTHERS.
3. CABLE NUMBERS REFLECT THE ASSIGNED NUMBER ALONG WITH A, B, C SUFFIXES FOR EACH PHASE, N SUFFIX FOR NEUTRAL AND G SUFFIX FOR GROUND IF APPLICABLE. SEE CONDUIT/CABLE SCHEDULE SPECIFICATION SECTION 16111 FOR SPECIFIC WIRE INFORMATION.
4. THE TRANSFORMER NEUTRAL GROUND IS NOT IN ACCORDANCE WITH ARTICLE 250 OF THE NEC.
5. FUSE SIZE & COORDINATION BY WHC EU.

DD-32A-099
LOADBREAK
CUTOUT, 100 AMP

(3) 40 A

MODIFICATIONS TO
EXISTING POLE
NO. 105

DCN-0090 REV 3

DD-32A-100
NEW PAD-MOUNTED GEAR

200A NOTE 5

FUTURE

P8300
(SEE NOTE 3)

LA
200 A

P8304
(SEE NOTE 3)

DCN-0188

DCN-0090
REV 3

13.8 kV-480 Y / 277 V
750 kVA
3 ϕ , 4W, 60 Hz
65°C RISE, OA, 5.75% Z
(SEE NOTE 1)

DCN-0090
REV 3

XT-32A-099
OAB/TOB UTILITY
PAD MOUNTED
TRANSFORMER

DCN-0188 REV 1

P8301
P8302
P8303
(SEE NOTE 3)

SB-32A-099
OAB/TOB UTILITY
METERING CABINET

NOTE:
THE INFORMATION CONTAINED ON
THIS PAGE TO BE INCLUDED ON
SHEET 4 OF DRAWING H-2-122134
WHICH WILL BE ADDED AT THE
NEXT REVISION.

DCN-0090
REV 3

800:5
(3)

TEST SWITCH WHMD

TO LOGGER
BY OTHERS

(2) (2)

288-120 V

1200 AF
1000 AT

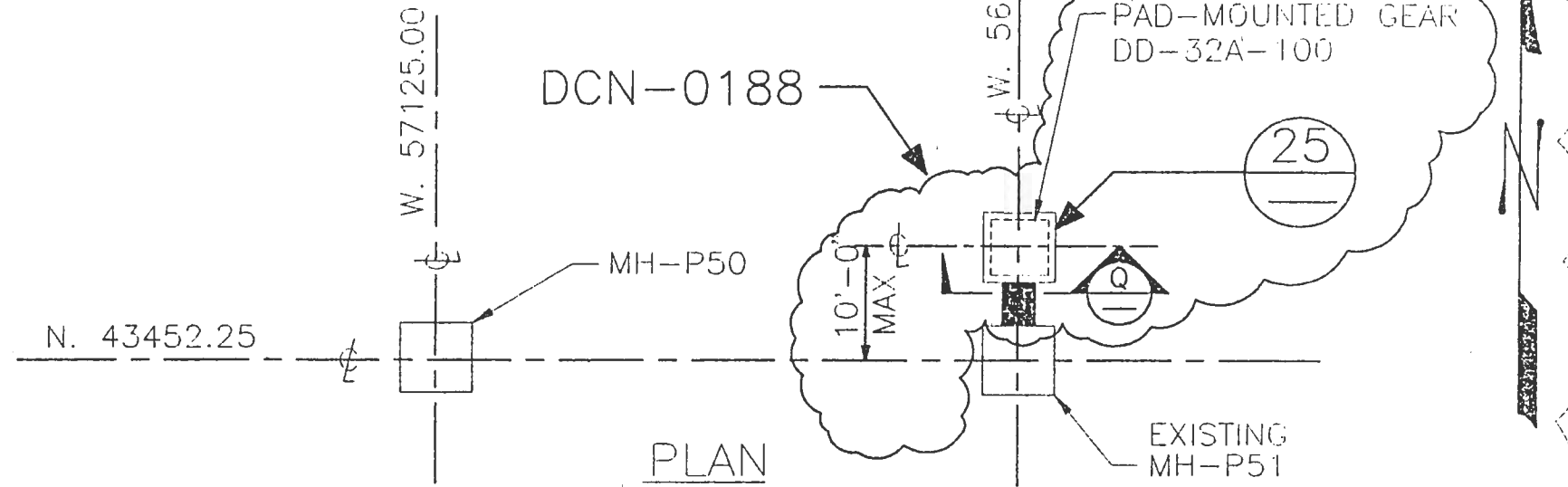
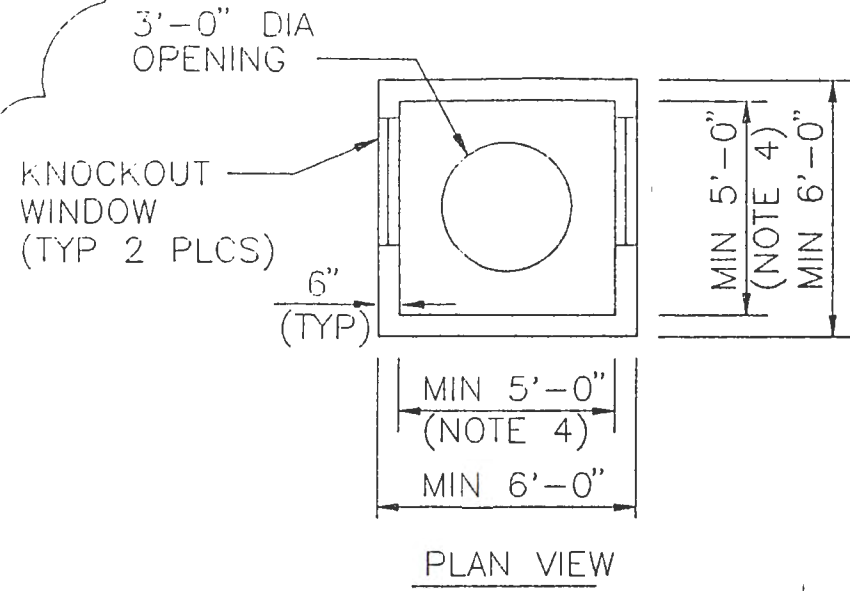
SST

BY OTHERS

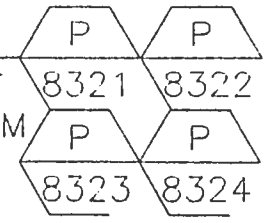
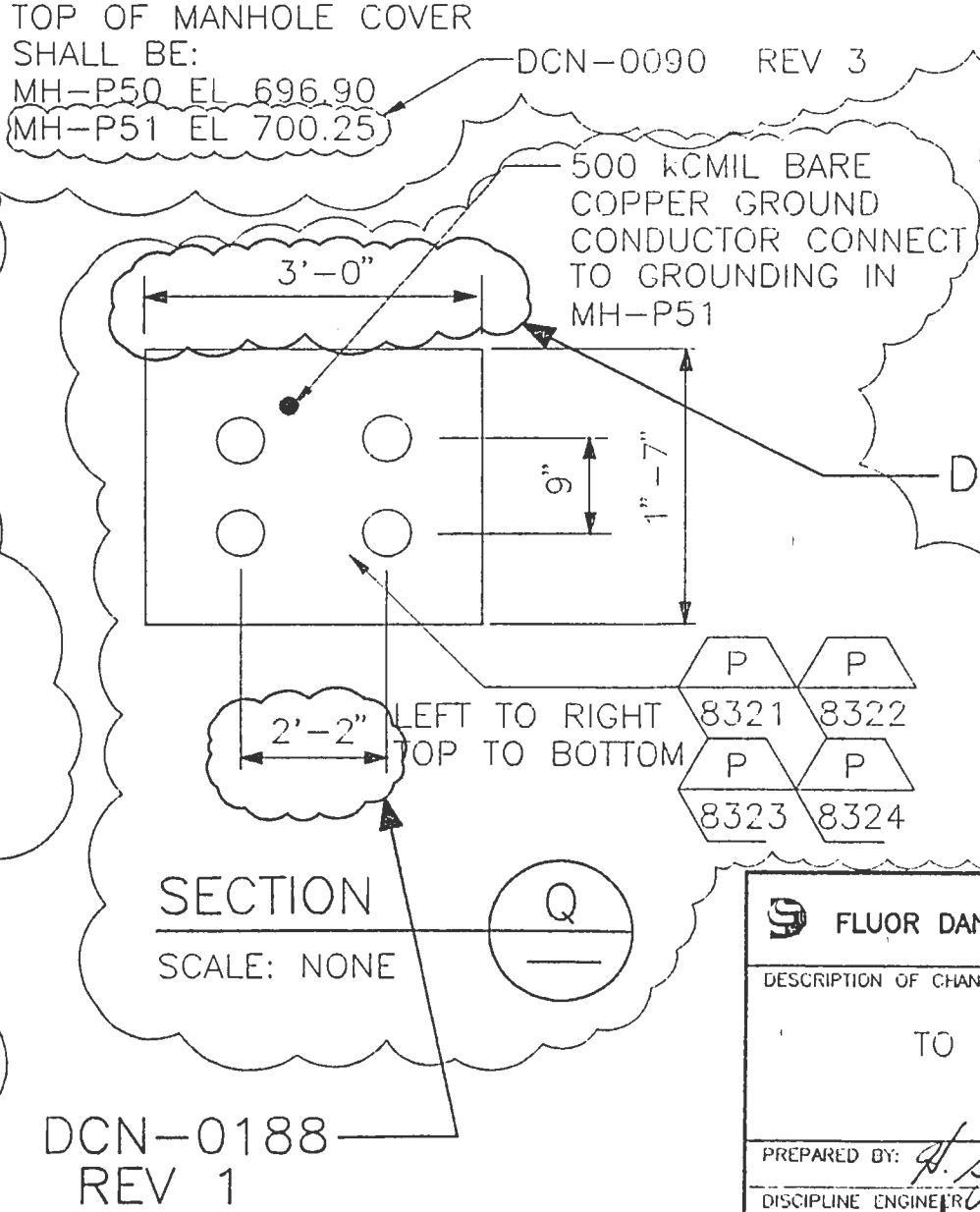
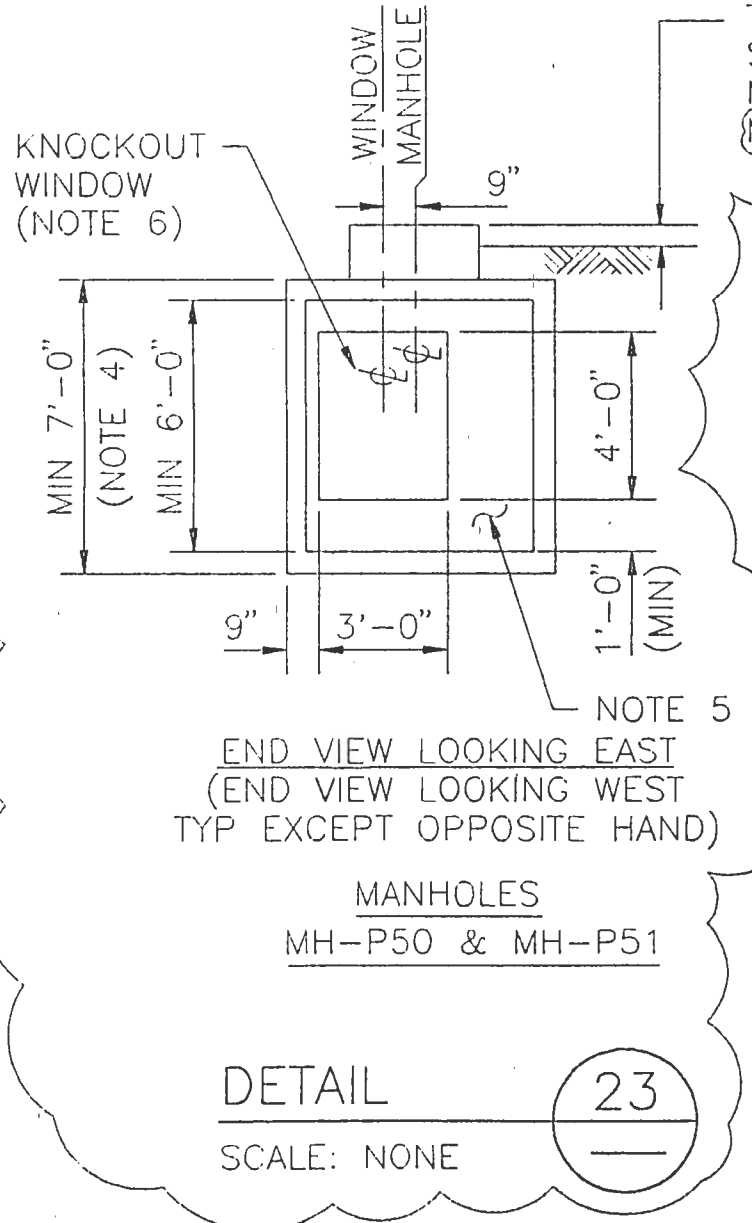
(SEE NOTE 2)

FLUOR DANIEL		U.S. DEPARTMENT OF ENERGY HANFORD WASTE VITRIFICATION PLANT		DESIGN CHANGE NOTICE	
DESCRIPTION OF CHANGE: ADD PAD MOUNTED GEAR TO PRIMARY 13.8 kV FEEDER FOR OAB/TOB BUILDING				BASE DOC. NO. H-2-122134 SHT/PG 1 REV. 3 CR NO HWVP-1109 DISCIPLINE: ELECTRICAL	
PREPARED BY: <i>A. Spurr</i>	DATE: 5/20/94	DCN - 0188	REV. 2	PAGE 10	
DISCIPLINE ENGINEER: <i>K. L. Johnson</i>	DATE: 5/20/94				

9513358.0789



NOTE:
THE INFORMATION CONTAINED ON THIS PAGE TO BE INCLUDED ON SHEET 4 OF DRAWING H-2-122134 WHICH WILL BE ADDED AT THE NEXT REVISION.



FLUOR DANIEL U.S. DEPARTMENT OF ENERGY HANFORD WASTE VITRIFICATION PLANT		DESIGN CHANGE NOTICE	
DESCRIPTION OF CHANGE: ADD PAD MOUNTED GEAR TO PRIMARY 13.8 kV FEEDER FOR OAB/TOB BUILDING		BASE DOC NO. H-2-122134 SHI/PG. 3 REV. 3 CR NO HWVP-1109 DISCIPLINE: ELECTRICAL	
PREPARED BY: <i>H. Sprengel</i> DISCIPLINE ENGINEER: <i>K. K. ...</i>	DATE: 5/20/94 DATE: 5/20/94	DCN - 0188	REV. 2 PAGE 11

9513558.0290

G02 122108

DCN-0188 REV 1

500 kcmil BARE COPPER GROUND CONDUCTOR

LEFT TO RIGHT

P 8323 P 8324

U01 DCN-0090

(TYP)

LEFT TO RIGHT

P 8321 P 8322

DCN-0188 REV 1

TO MH-P51

500 kcmil BARE COPPER GROUND CONDUCTOR

PLAN VIEW

DETAIL

25

G37 DCN-0090

(TYP)

LEFT TO RIGHT

P 8321 P 8322


LEFT TO RIGHT

P 8323 P 8324

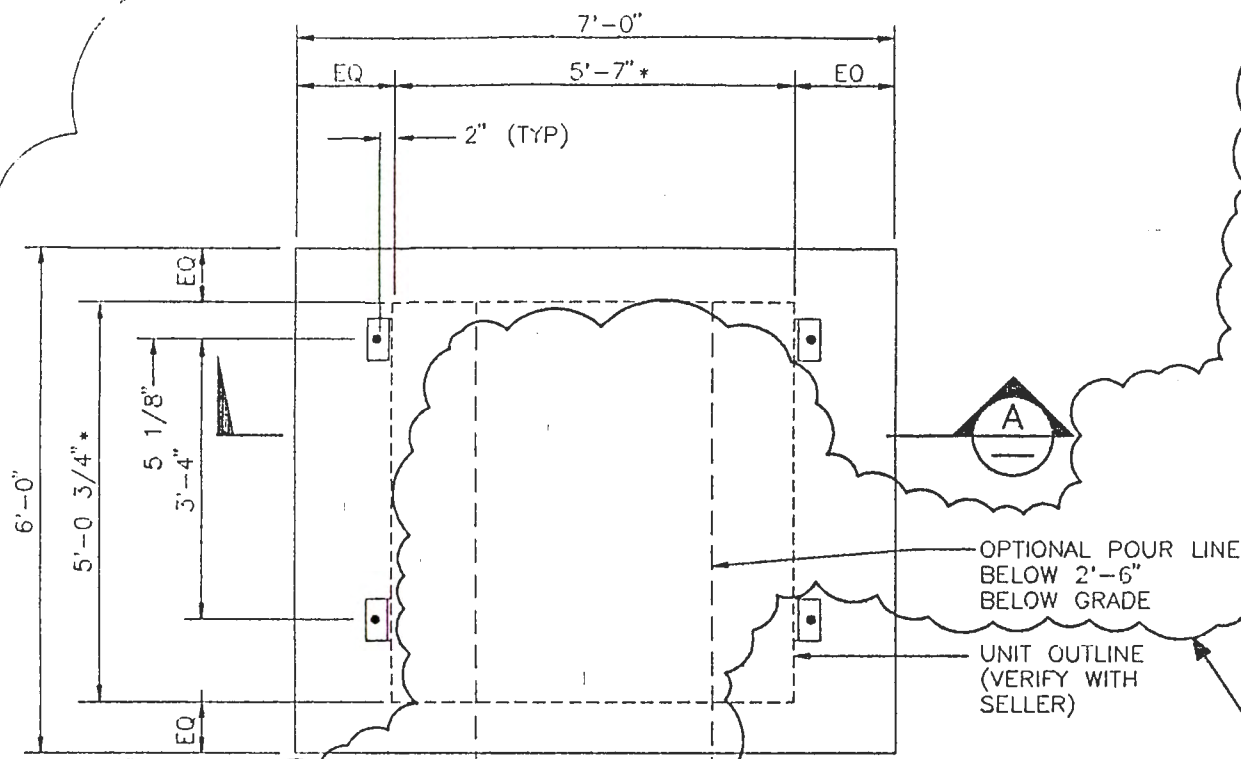
SECTION "B-B"



DCN-0188

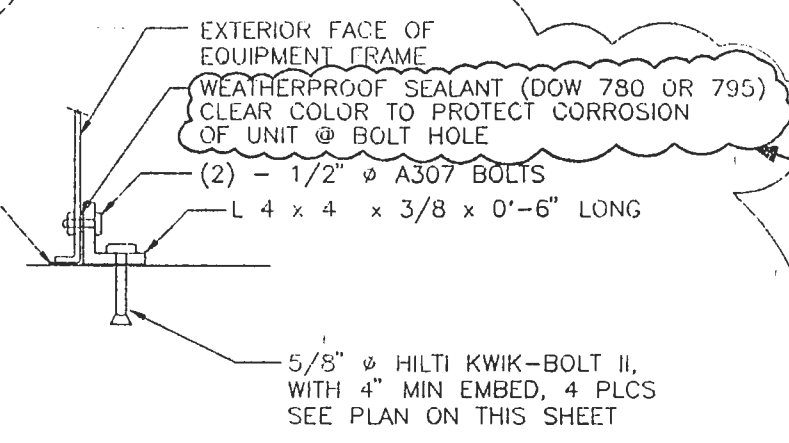
 FLUOR DANIEL		U.S. DEPARTMENT OF ENERGY HANFORD WASTE VITRIFICATION PLANT		DESIGN CHANGE NOTICE	
DESCRIPTION OF CHANGE: ADD PAD MOUNTED GEAR TO PRIMARY 13.8 kV FEEDER FOR OAB/TOB BUILDING				BASE DOC. NO. H-2-122134 SHT/PG. 3 REV. 3 CR NO. HWVP-1109 DISCIPLINE: ELECTRICAL	
PREPARED BY: <i>A. Spurgli</i>		DATE: 5/20/94		DCN - 0188	
DISCIPLINE ENGINEER: <i>K.K. [Signature]</i>		DATE: 5/20/94		REV. 2 PAGE 12	

9513358.0791



PLAN VIEW

DETAIL A



DCN-0188
REV 1

DCN-0188
REV 1

DCN-0188

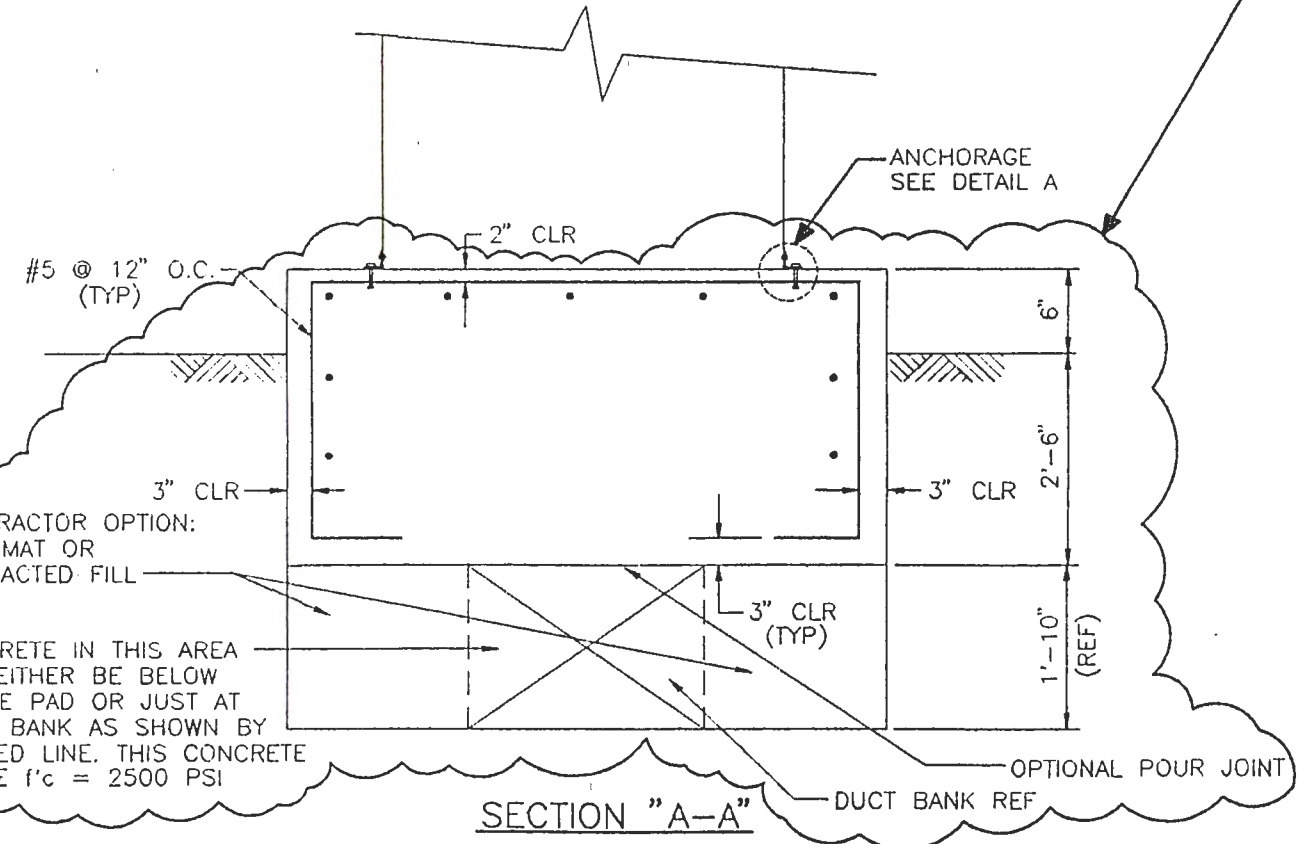
• TO BE VERIFIED BY SELLER TO CORRESPOND TO ACTUAL EQUIPMENT

NOTES:

1. KWIK-BOLT II SHALL NOT BE INSTALLED UNTIL CONCRETE HAS REACHED $f'c = 2500$ PSI.
2. REINFORCING MAY BE MOVED UP TO 3" FOR CONDUIT BUT AVERAGE SPACING TO STAY AS SHOWN. ALT.: IF A BAR HAS TO BE REMOVED FOR A CONDUIT, ADD EQUIVALENT REINE. ADJACENT TO UNREINFORCED ZONE.
3. SEE SHEET H-2-118060 SHEET 1 FOR STRUCTURAL GENERAL NOTES & TYPICAL DETAILS.

DCN-0188
REV 1

DCN-0188



SECTION "A-A"

FLUOR DANIEL	U.S. DEPARTMENT OF ENERGY HANFORD WASTE VITRIFICATION PLANT	DESIGN CHANGE NOTICE		
		DESCRIPTION OF CHANGE: ADD PAD MOUNTED GEAR TO PRIMARY 13.8 Kv FEEDER FOR OAB/TOB BUILDING	BASE DOC. NO. H-2-118063 SHT/PG. 1 REV. 2 CR NO. HWVP-1109 DISCIPLINE: STRUCTURAL	
PREPARED BY: <i>H. Seward</i>	DATE: 5/20/94	DCN - 0188	REV. 2	PAGE 13
DISCIPLINE ENGINEER: <i>D. A. Taylor</i>	DATE: 5/20/94			