

START

0022875

ENGINEERING CHANGE NOTICE

1. ECN ~~1714252~~

Page 1 of 5

Proj. ECN B-714-123

4. Date 04-07-92

2. ECN Category (mark one)
- Supplemental
 - Direct Revision
 - Change ECN
 - Temporary
 - Supersedeure
 - Discovery
 - Cancel/Void

3. Originator's Name, Organization, MSIN, and Telephone No.
A.R. Snowwhite, KEH; E6-42, 6-0324

5. Project Title/No./Work Order No. B-714/ER8007
Grouted Waste Disposal Facilities

6. Bldg./Sys./Fac. No.
218-E-16

7. Impact Level
30 / SC-2

8. Document Number Affected (include rev. and sheet no.)
See Block 12

9. Related ECN No(s).
See Block 12

10. Related PO No.
N/A

11a. Modification Work
 Yes (fill out Blk. 11b)
 No (NA Blks. 11b, 11c, 11d)
Unknown

11b. Work Package Doc. No.
Unknown

11c. Complete Installation Work

Cog. Engineer Signature & Date

11d. Complete Restoration (Temp. ECN only)

Cog. Engineer Signature & Date

12. Description of Change

Block 8: Drawings

- H-2-77573, Sh 2, Rev 0 H-2-78443, Sh 1, Rev 1
- H-2-77597, Sh 1, Rev 2 H-2-78468, Sh 1, Rev 1
- H-2-77611, Sh 1, Rev 1 H-2-78481, Sh 2, Rev 0
- H-2-77611, Sh 2, Rev 1

Specification B-714-C2, Rev 1 (V-B714C2-003)

Block 9: ECN B-714-86, -94, & -98

SC-2: Items as noted on page 3 & 4

SC-3: All other items



DESCRIPTION OF CHANGES ON SUCCEEDING PAGES

Block 13b (Justification Details) continued:

(AF): Manufacturer recommended new method of connecting jumper cable to sensing cable that permits field made connections rather than factory connections (Item 9A, 9C1, 9C2, 9C4, & 9C5).

(FC): Additional drawing added to clarify sensing cable installation (Item 1, 5 & 8). Product is no longer available through company originally specified (Item 9B1).

(DE): Additional information added to comply with Hanford Plant Standards (Item 9B2 & 9B3). Word not required (Item 9C6). Incorrect dwg called out (Item 3).

THOSE CHANGES MADE TO SAFETY CLASS 2 ITEMS DO NOT IMPACT THE INTEGRITY OF THE ORIGINAL FACILITY DESIGN.

- 13a. Justification (mark one)
- Criteria Change
 - Design Improvement
 - Environmental
 - As-Found
 - Facilitate Const.
 - Const. Error/Omission
 - Design Error/Omission

13b. Justification Details

(DI): To refer contractor to new elec dwg for sensing cable installation (Item 2A, 4, 6A & 7). Maintain uniform word terminology throughout project documents (Item 2B & 6B). Words changed to clarify sensing cable installation (Item 9C3 & 9C7).

JUSTIFICATION DETAILS CONTINUED IN BLOCK 12 ABOVE

14. Distribution (include name, MSIN, and no. of copies)

<u>KEH DISTRIBUTION</u>		O. A. Halvorson	R3-10
Const Doc Cntl	E2-50	J. S. Hill [2]	H4-57
		K. S. McCullough	N1-83
<u>WHC DISTRIBUTION</u>		D. B. Powell [4]	R4-03
Project Files	R1-28	T. W. Staehr (PE)	R3-27
J. K. Epperley	R1-29	J. E. Vanbeek	R3-27
T. K. Cordray	S1-54	DOE	
STA 10	A3-87	A. G. Lassila	A5-10
STA 6	T2-03		
L. GARZA	L6-76		

RELEASE STAMP

OFFICIAL RELEASE BY WHC

DATE **MAY 08 1992**

RECEIVED **STA 4**

MAY 22 1992

R.K. SANAN

92126580648

ENGINEERING CHANGE NOTICE

15. Design Verification Required

Yes
 No

16. Cost Impact

ENGINEERING

Additional \$ 9230⁰⁰
Savings \$ _____

CONSTRUCTION

Additional \$ 1000⁰⁰
Savings \$ _____

17. Schedule Impact (days)

N/A
Improvement _____
Delay _____

18. Change Impact Review: Indicate the related documents (other than the engineering documents identified on Side 1) that will be affected by the change described in Block 12. Enter the affected document number in Block 19.

SDD/DD <input type="checkbox"/> Functional Design Criteria <input type="checkbox"/> Operating Specification <input type="checkbox"/> Criticality Specification <input type="checkbox"/> Conceptual Design Report <input type="checkbox"/> Equipment Spec. <input type="checkbox"/> Const. Spec. <input type="checkbox"/> Procurement Spec. <input type="checkbox"/> Vendor Information <input type="checkbox"/> OM Manual <input type="checkbox"/> FSAR/SAR <input type="checkbox"/> Safety Equipment List <input type="checkbox"/> Radiation Work Permit <input type="checkbox"/> Environmental Impact Statement <input type="checkbox"/> Environmental Report <input type="checkbox"/> Environmental Permit <input type="checkbox"/>	Seismic/Stress Analysis <input type="checkbox"/> Stress/Design Report <input type="checkbox"/> Interface Control Drawing <input type="checkbox"/> Calibration Procedure <input type="checkbox"/> Installation Procedure <input type="checkbox"/> Maintenance Procedure <input type="checkbox"/> Engineering Procedure <input type="checkbox"/> Operating Instruction <input type="checkbox"/> Operating Procedure <input type="checkbox"/> Operational Safety Requirement <input type="checkbox"/> IEFD Drawing <input type="checkbox"/> Cell Arrangement Drawing <input type="checkbox"/> Essential Material Specification <input type="checkbox"/> Fac. Proc. Samp. Schedule <input type="checkbox"/> Inspection Plan <input type="checkbox"/> Inventory Adjustment Request <input type="checkbox"/>	Tank Calibration Manual <input type="checkbox"/> Health Physics Procedure <input type="checkbox"/> Spares Multiple Unit Listing <input type="checkbox"/> Test Procedures/Specification <input type="checkbox"/> Component Index <input type="checkbox"/> ASME Coded Item <input type="checkbox"/> Human Factor Consideration <input type="checkbox"/> Computer Software <input type="checkbox"/> Electric Circuit Schedule <input type="checkbox"/> ICRS Procedure <input type="checkbox"/> Process Control Manual/Plan <input type="checkbox"/> Process Flow Chart <input type="checkbox"/> Purchase Requisition <input type="checkbox"/> _____ <input type="checkbox"/> _____ <input type="checkbox"/> _____ <input type="checkbox"/>
---	---	--

19. Other Affected Documents: (NOTE: Documents listed below will not be revised by this ECN.) Signatures below indicate that the signing organization has been notified of other affected documents listed below.

Document Number/Revision	Document Number/Revision	Document Number/Revision
_____	_____	_____
_____	_____	_____
_____	_____	_____

20. Approvals

	Signature	Date
OPERATIONS AND ENGINEERING		
Cog./Project Engineer	<u>[Signature]</u>	<u>5-7-92</u>
Cog./Project Engr. Mgr.	<u>[Signature]</u>	<u>5/7/92</u>
QA	<u>[Signature]</u>	<u>5-7-92</u>
Safety	_____	_____
Security	_____	_____
Proj. Prog./Dept. Mgr.	_____	_____
Def. React. Div.	_____	_____
Chem. Proc. Div.	_____	_____
Def. Wst. Mgmt. Div.	_____	_____
Adv. React. Dev. Div.	_____	_____
Proj. Dept.	_____	_____
Environ. Div.	_____	_____
IRM Dept.	_____	_____
Facility Rep. (Ops)	_____	_____
Other	_____	_____

ARCHITECT-ENGINEER

	Signature	Date
PE	<u>[Signature]</u>	<u>5/7/92</u>
QA	<u>[Signature]</u>	<u>5-1-92</u>
Safety	<u>[Signature]</u>	<u>5-1-92</u>
Design	<u>CIVIL: [Signature]</u>	<u>4.30.92</u>
Other	<u>PIPING: [Signature]</u>	<u>4-30-92</u>
ELEC:	<u>[Signature]</u>	<u>5-1-92</u>
ENVIR:	<u>[Signature]</u>	<u>5-7-92</u>
SPECS:	<u>[Signature]</u>	<u>5-1-92</u>

DEPARTMENT OF ENERGY

ADDITIONAL

(KEH REVIEW)

PLE:	<u>[Signature]</u>	<u>5-1-92</u>
COA:	<u>[Signature]</u>	<u>5-7-92</u>

92126580649

- 1) H-2-77573, SH 2, REV 0
ADD the following dwg to ELECTRICAL column:
H-2-77630 7501 ELECTRICAL SENSING CABLE PLAN & DETAILS
- 2) H-2-77597, SH 1, REV 2
(sc-2) A) Section A (Z E8): Modify - see page 5 of this ECN.
(sc-2) B) Detail 8 (Z F4): Change "TRACETEK END KIT" to read "SENSING CABLE END TERMINATION"
- 3) H-2-77611, SH 1, REV 1
Detail 3 (Z B7): Change drawing number called out on the Section A cut from "H-2-77697" to "H-2-77597"
- 4) H-2-77611, SH 2, REV 1
(sc-2) (Affects ECN B-714-94, pg 5, item 20B) Replace Note 10 with the following:
10. SEE DRAWING H-2-77630 FOR INSTALLATION OF SENSING CABLE.
- 5) H-2-78443, SH 1, REV 1
ADD the following dwg to the REFERENCE block:
H-2-77630 ELEC SENSING CABLE PLAN & DET
- 6) H-2-78468, SH 1, REV 1
(sc-2) A) Section A (Z E8): Modify - see page 5 of this ECN.
(sc-2) B) Detail 8 (Z F4): Change "TRACETEK END KIT" to read "SENSING CABLE END TERMINATION"
- 7) H-2-78481, SH 2, REV 0
(sc-2) (Affects ECN B-714-94, pg 5, item 24B) Replace Note 10 with the following:
10. SEE DRAWING H-2-77630 FOR INSTALLATION OF SENSING CABLE.
- 8) ADD new dwg H-2-77630, Rev 0 to project package.
- 9) SPECIFICATION B-714-C2, REV 1
(sc-2) A) SECTION 01400, APPENDIX A (Affects ECN B-714-098, page 6):
Change the columns for Sensing Cable as follows:

Item Description: Sensing Cable Raychem TraceTek Cat. No. TT3000
Method of Verification: Visual: See General Note
- B) Section 02200, para 2.1.3
1. Change "Griffolyn Co, Inc." to "Reef Industries, Inc."
2. Add the following to the end of the 2nd sentence:
"except marker for electrical conductors shall have no printing".
3. Add the following to the end of the 3rd sentence:
"except marker for electrical conductors shall be yellow".

*** ITEM 9 CONTINUED ON NEXT PAGE ***

CONTINUATION OF ITEM 9 (SPEC B-714-C2)

(sc-2) C) Section 16400

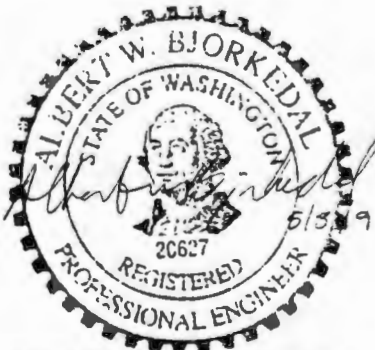
1. Para 2.1.4 (Affects ECN B-714-86, item 2A); Change to read as follows:
 2.1.4 Sensing Cable: Raychem TraceTek, Catalog No. TT3000 (without modular connectors).
2. Para 2.1.4.3 (Affects ECN B-714-86, item 2C); Change to read as follows:
 2.1.4.3 Scotchlok Plastic Connector: For use as shown on the Drawings. Raychem TraceTek, Catalog No. TT-JSK-SL.
3. Para 2.1.4.4 (Affects ECN B-714-86, item 2C): Change to read as follows:
 2.1.4.4 Heat Shrinkable Tubing, for covering End Termination connector and Connectorized Jumper Cable connectors after both connectors are connected together, Raychem TraceTek.
4. Para 2.1.4.6 (Affects ECN B-714-86, item 2C); Change to read as follows:
 2.1.4.6 Sensing Cable Map: Provide sensing cable map that shows entire sensing cable routing from Grout Processing Facility to each of four vaults (102-105). Indicate (by length address in feet from pull point PP-0) the location of all pull points. Provide map with clear plastic lamination and frame. Maximum size not larger than 40 inches by 28 inches.
5. Add new para 2.1.4.7 as follows:
 2.1.4.7 Field Connection Kit: For connecting one half of connectorized jumper cable to sensing cable. Raychem TraceTek.
6. Para 3.2.8.1: Delete the word "termination"
7. Para 3.2.8.3 (Affects ECN B-714-86, item 2E): Change to read as follows
 3.2.8.3 Install Connectorized Jumper Cable as shown on the Drawings.

92126580651

REGISTERED ENGINEER REVIEW
CIVIL - Item 9B only



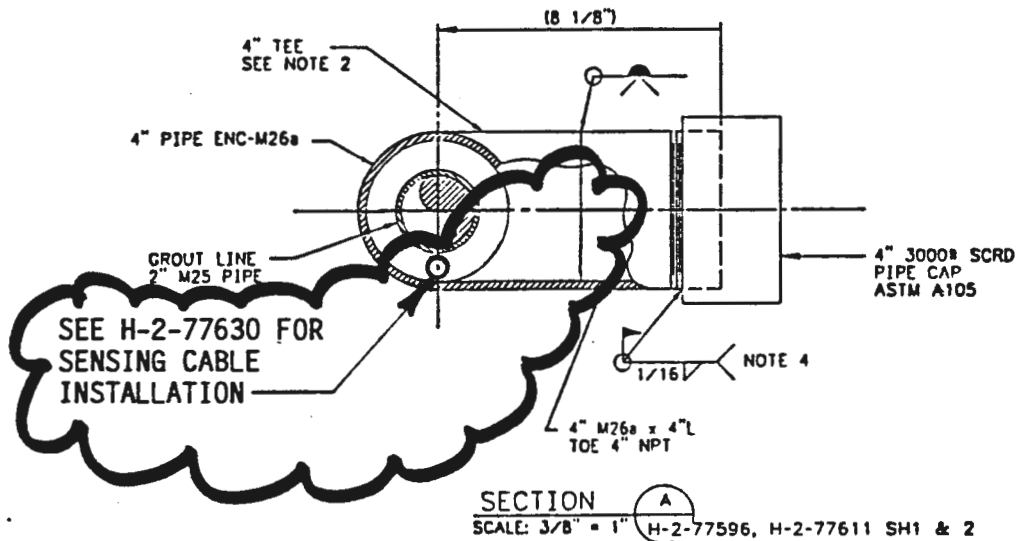
REGISTERED ENGINEER REVIEW
PIPING - Item 2,3,4,6 & 7



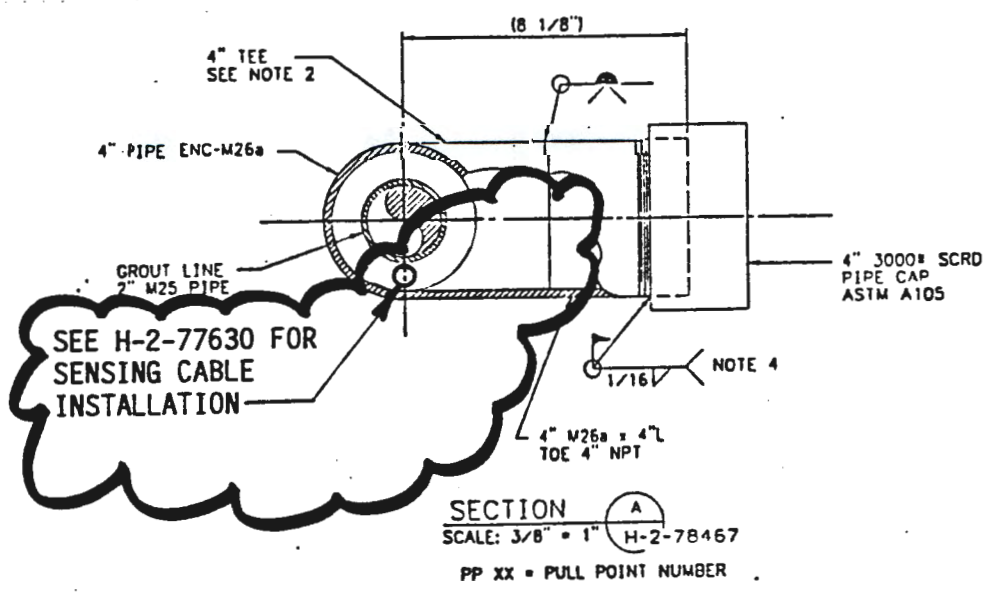
REGISTERED ENGINEER REVIEW
ELEC - Item 9A & 9C



Ref. Dwg. H-2-77597	Sh. 1	Rev. 2	Prepared By T.K. EHRHARD	Checked By <i>M.A. McLean</i>	ECN No. B-714-123	Page 515
------------------------	----------	-----------	-----------------------------	----------------------------------	----------------------	-------------



H-2-78468	1	1
-----------	---	---



92120130612