

START

0022880

ENGINEERING CHANGE NOTICE

Page 1 of 5

1. ECN 0022880
Proj. ECN B-714-93

2. ECN Category (mark one) Supplemental <input checked="" type="checkbox"/> Direct Revision <input type="checkbox"/> Change ECN <input type="checkbox"/> Temporary <input type="checkbox"/> Supersedeure <input type="checkbox"/> Discovery <input type="checkbox"/> Cancel/Void <input type="checkbox"/>	3. Originator's Name, Organization, MSIN, and Telephone No K. C. Kenoyer, KEH, E6-24, 6-9427		4. Date 06-26-91	
	5. Project Title/No./Work Order No. See Block 12	6. Bldg./Sys./Fac. No. 218-E-16	7. Impact Level 3 /SC-3	
	8. Document Number Affected (include rev. and sheet no.) See Block 12	9. Related ECN No(s). None	10. Related PO No N/A	
11a. Modification Work <input type="checkbox"/> Yes (fill out Blk. 11b) <input type="checkbox"/> No (NA Blks. 11b, 11c, 11d) UNKNOWN	11b. Work Package Doc. No. UNKNOWN	11c. Complete Installation Work _____ Cog. Engineer Signature & Date	11d. Complete Restoration (Temp. ECN only) _____ Cog. Engineer Signature & Date	

12. Description of Change

Block 5: B-714, Grout Vault Pair (218-E-16-102 & 103)(218-E-16-104 & 105)/ER8007

Block 8: Drawings -

H-2-77581, Sh 2, Rev 2	H-2-78457, Sh 1, Rev 1
H-2-77598, Sh 1, Rev 1	H-2-78469, Sh 1, Rev 0
H-2-77599, Sh 1, Rev 1	H-2-78470, Sh 1, Rev 0
H-2-77607, Sh 1, Rev 1	H-2-78477, Sh 1, Rev 0

- H-2-77581, Sh 2, Rev 2
Change Note 5 to read "NOT USED".
- H-2-77598, Sh 1, Rev 1
Change Note 3 to read as follows:
 - PIPE SUPPORTS ON VAULT ROOF SHALL BE IN ACCORDANCE WITH DETAIL 6, DWG ~~H-2-78470~~. Per Telecon with K.C.Kenoyer 7-9-91 ^{OP. 7-9-91} H-2-77599.
- H-2-77599, Sh 1, Rev 1
 - DETAIL 6: Replace old detail with new detail as shown on page 4 of this ECN.
 - DETAIL 5: Delete words "& NAIL IN PLACE" and delete weld symbol in its entirety.

APPROVED FOR PUBLIC RELEASE
8/20/91 *AK*

13a. Justification (mark one) Criteria Change <input type="checkbox"/> Design Improvement <input checked="" type="checkbox"/> Environmental <input type="checkbox"/> As-Found <input type="checkbox"/> Facilitate Const. <input type="checkbox"/> Const. Error/Omission <input type="checkbox"/> Design Error/Omission <input checked="" type="checkbox"/>	13b. Justification Details (DI): Piping support blockouts in concrete topping is more expensive than design noted with this ECN. (Item 1, 2, 3A, 3B, 5, 6, 7A, 7B) Relax tolerance on pipe support locations and concrete (Item 3D, 7D) (DE): Concrete blocks are required at pipe anchors. (Item 3C, 7C) Additional references to concrete blocks details is required. (Item 4, 8)
---	--

14. Distribution (include name, MSIN, and no. of copies) KEH DISTRIBUTION Const Doc Cntl E2-50 WHC DISTRIBUTION Project Files R1-28 S. R. Briggs(PE) R3-27 T. K. Cordray S1-54 STA 10 A3-87	U: K. Epper ^(PE) S0-05 O. A. Halverson R3-10 J. S. Hill [2] H4-57 K. S. McCullough N1-83 D. B. Powell [4] R4-03 J. E. Vanbeek R3-27 DOE A. G. Lassila A5-18
--	---

RELEASE STAMP

OFFICIAL RELEASE BY WHC

DATE JUL 11 1991

STA 4

ENGINEERING CHANGE NOTICE

Page 2 of 5

1 ECN (use no. from pg. 1)
B-714-93

15. Design Verification Required

Yes

No

16. Cost Impact

<p>ENGINEERING</p> <p>Additional <input checked="" type="checkbox"/> \$ <u>1620</u></p> <p>Savings <input type="checkbox"/> \$ _____</p>	<p>CONSTRUCTION</p> <p>Additional <input checked="" type="checkbox"/> \$ <u>1500</u></p> <p>Savings <input type="checkbox"/> \$ _____</p>
--	---

17. Schedule Impact (days)

Improvement NA

Delay _____

18. Change Impact Review: Indicate the related documents (other than the engineering documents identified on Side 1) that will be affected by the change described in Block 12. Enter the affected document number in Block 19.

<p>SDD/DD <input type="checkbox"/></p> <p>Functional Design Criteria <input type="checkbox"/></p> <p>Operating Specification <input type="checkbox"/></p> <p>Criticality Specification <input type="checkbox"/></p> <p>Conceptual Design Report <input type="checkbox"/></p> <p>Equipment Spec. <input type="checkbox"/></p> <p>Const. Spec. <input type="checkbox"/></p> <p>Procurement Spec. <input type="checkbox"/></p> <p>Vendor Information <input type="checkbox"/></p> <p>OM Manual <input type="checkbox"/></p> <p>FSAR/SAR <input type="checkbox"/></p> <p>Safety Equipment List <input type="checkbox"/></p> <p>Radiation Work Permit <input type="checkbox"/></p> <p>Environmental Impact Statement <input type="checkbox"/></p> <p>Environmental Report <input type="checkbox"/></p> <p>Environmental Permit <input type="checkbox"/></p>	<p>Seismic/Stress Analysis <input type="checkbox"/></p> <p>Stress/Design Report <input type="checkbox"/></p> <p>Interface Control Drawing <input type="checkbox"/></p> <p>Calibration Procedure <input type="checkbox"/></p> <p>Installation Procedure <input type="checkbox"/></p> <p>Maintenance Procedure <input type="checkbox"/></p> <p>Engineering Procedure <input type="checkbox"/></p> <p>Operating Instruction <input type="checkbox"/></p> <p>Operating Procedure <input type="checkbox"/></p> <p>Operational Safety Requirement <input type="checkbox"/></p> <p>IEFD Drawing <input type="checkbox"/></p> <p>Cell Arrangement Drawing <input type="checkbox"/></p> <p>Essential Material Specification <input type="checkbox"/></p> <p>Fac. Proc. Samp. Schedule <input type="checkbox"/></p> <p>Inspection Plan <input type="checkbox"/></p> <p>Inventory Adjustment Request <input type="checkbox"/></p>	<p>Tank Calibration Manual <input type="checkbox"/></p> <p>Health Physics Procedure <input type="checkbox"/></p> <p>Spares Multiple Unit Listing <input type="checkbox"/></p> <p>Test Procedures/Specification <input type="checkbox"/></p> <p>Component Index <input type="checkbox"/></p> <p>ASME Coded Item <input type="checkbox"/></p> <p>Human Factor Consideration <input type="checkbox"/></p> <p>Computer Software <input type="checkbox"/></p> <p>Electric Circuit Schedule <input type="checkbox"/></p> <p>ICRS Procedure <input type="checkbox"/></p> <p>Process Control Manual/Plan <input type="checkbox"/></p> <p>Process Flow Chart <input type="checkbox"/></p> <p>Purchase Requisition <input type="checkbox"/></p> <p>_____ <input type="checkbox"/></p> <p>_____ <input type="checkbox"/></p> <p>_____ <input type="checkbox"/></p>
--	--	---

19. Other Affected Documents: (NOTE: Documents listed below will not be revised by this ECN.) Signatures below indicate that the signing organization has been notified of other affected documents listed below.

Document Number/Revision	Document Number/Revision	Document Number/Revision
_____	_____	_____
_____	_____	_____
_____	_____	_____

20. Approvals

Signature	Date	Signature	Date
<u>OPERATIONS AND ENGINEERING</u>		<u>ARCHITECT-ENGINEER</u>	
Cog. Project Engineer <u>J.R. Brugg</u>	<u>7/9/91</u>	PE <u>K.C. Bergand</u>	<u>7/9/91</u>
Cog. Project Engr Mgr <u>H.D. N. ...</u>	<u>7/9/91</u>	QA <u>TD Daps</u>	<u>6/28/91</u>
QA <u>J.K. ...</u>	<u>7/9/91</u>	Safety <u>...</u>	<u>6-28-91</u>
Safety <u>NA</u>	_____	Design <u>PIPING: ...</u>	<u>6/27/91</u>
Security _____	_____	Other <u>ENVIR: ...</u>	<u>6/28/91</u>
Proj. Prog./Dept. Mgr. _____	_____	<u>PLE: ...</u>	<u>6/28/91</u>
Def. React. Div. _____	_____	_____	_____
Chem. Proc. Div. _____	_____	_____	_____
Def Wst. Mgmt. Div. _____	_____	<u>DEPARTMENT OF ENERGY</u>	
Adv. React. Dev. Div. _____	_____	_____	_____
Proj. Dept. _____	_____	_____	_____
Environ. Div. _____	_____	<u>ADDITIONAL</u>	
IRM Dept. _____	_____	_____	_____
Facility Rep. (Ops) _____	_____	_____	_____
Other _____	_____	_____	_____

92126530684

DESCRIPTION OF CHANGE (continued)

C) Notes:

- Change Note 3 to read: ...PIPE SUPPORTS, ANCHORS AND GUIDES AS...

D) Notes:

- Add Note 6 & 7 as follows:

6. ALL ENCASEMENT PIPE SUPPORTS (CONCRETE/STEEL) TO HAVE A HORIZONTAL LOCATION TOLERANCE OF $\pm 1'-0"$, PARALLEL TO CENTERLINE OF PIPE.
7. CONCRETE BASE SUPPORTS SHALL BE CAST FROM CONCRETE MEETING REQUIREMENTS OF SPECIFICATION B-714-C2, SECTION 03300 OR 03301.

4) H-2-77607, Sh 1, Rev 1

A) DETAIL 13: Modify - see page 5 of this ECN.

B) Note 5: Change word "PRYOR" to "PRIOR".

5) H-2-78457, Sh 1, Rev 1

Change Note 5 to read "NOT USED".

6) H-2-78469, Sh 1, Rev 0

Change Note 3 to read as follows:

3. PIPE SUPPORTS ON VAULT ROOF SHALL BE IN ACCORDANCE WITH DETAIL 6, DWG H-2-78470.

7) H-2-78470, Sh 1, Rev 0

A) DETAIL 6: Replace old detail with new detail as shown on page 4 of this ECN.

B) DETAIL 5: Delete words "& NAIL IN PLACE" and delete weld symbol in its entirety.

C) Notes:

- Change Note 3 to read: ...PIPE SUPPORTS, ANCHORS AND GUIDES AS...

D) Notes:

- Add Note 6 & 7 as follows:

6. ALL ENCASEMENT PIPE SUPPORTS (CONCRETE/STEEL) TO HAVE A HORIZONTAL LOCATION TOLERANCE OF $\pm 1'-0"$, PARALLEL TO CENTERLINE OF PIPE.
7. CONCRETE BASE SUPPORTS SHALL BE CAST FROM CONCRETE MEETING REQUIREMENTS OF SPECIFICATION B-714-C2, SECTION 03300 OR 03301.

8) H-2-78477, Sh 1, Rev 0

DETAIL 13: Modify - see page 5 of this ECN.

Ref. Dwg.
H-2-77599
H-2-78470

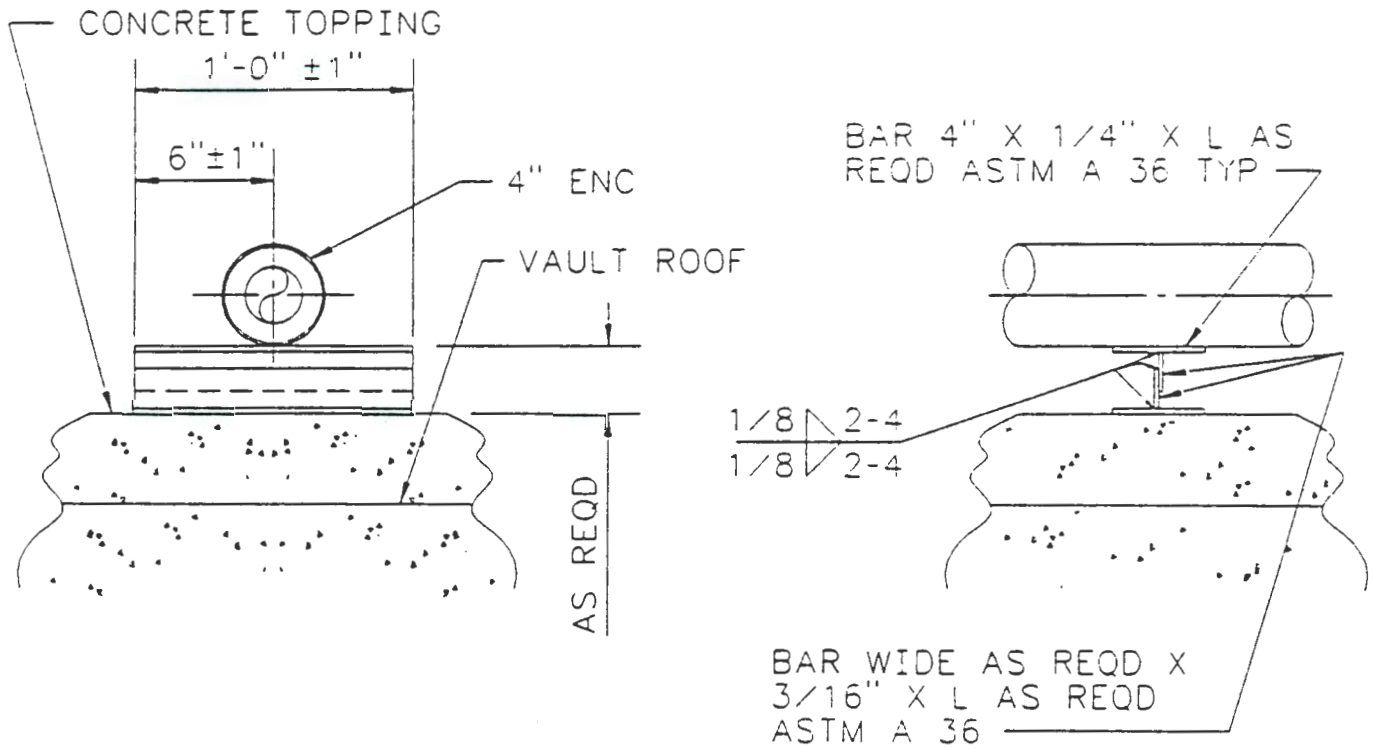
Sh. 1
1
1
0

Prepared By
BA MEYER

Checked By
K. C. Meyer

ECN No.
B-714-93

Page
4/5



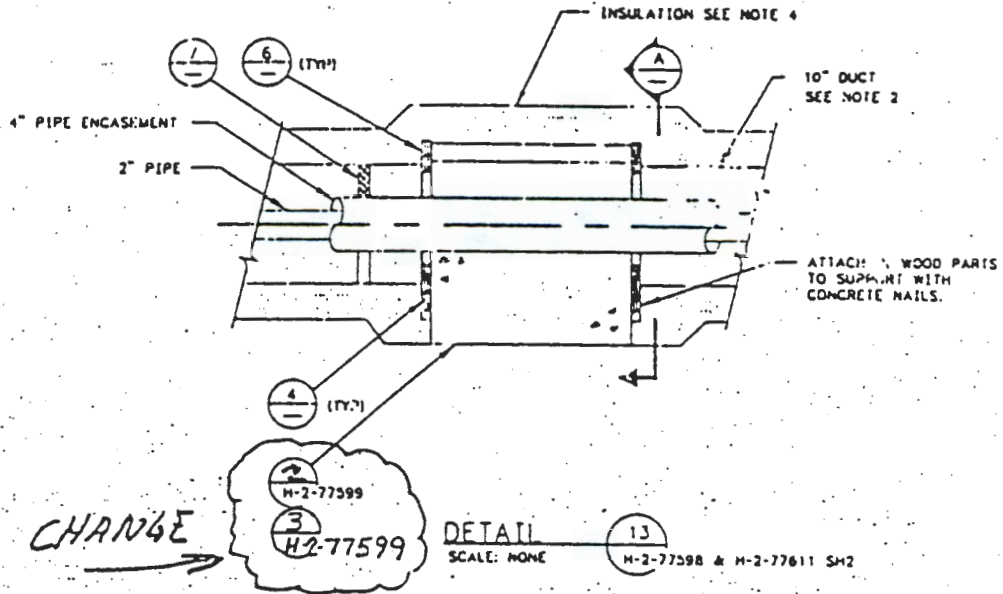
DETAIL

SCALE: NONE

6

921231510

Ref. Dwg. H-2-77607	Sh. 1	Rev. 1	Prepared By K. C. KENOYER	Checked By <i>D. McDaniel</i>	ECN No. B-714-93	Page 5/5
-------------------------------	-----------------	------------------	-------------------------------------	----------------------------------	----------------------------	--------------------



H-2-78477, Sh 1, Rev 0

