

START

0026798

ENGINEERING CHANGE NOTICE

Page 1 of 5

1. ECN ~~107755~~

Proj. ECN B-714-154

2. ECN Category (mark one)	Supplemental <input checked="" type="checkbox"/>	Change ECN <input type="checkbox"/>	Supersedure <input type="checkbox"/>
Cancel/Void <input type="checkbox"/>	Direct Revision <input type="checkbox"/>	Temporary <input type="checkbox"/>	Discovery <input type="checkbox"/>

3. Originator's Name, Organization, MSIN, and Telephone No. T.E. Coyne, KEH, E6-42, 6-2564	4. Date 10-13-92
---	---------------------


5. Project Title/No./Work Order No. Grouted Waste Disposal Facilities B-714/ER8007	6. Bldg./Sys./Fac. No. 218-E-16	7. Impact Level 3Q /SC-2
--	------------------------------------	-----------------------------

8. Document Number Affected (include rev. and sheet no.) See Block 12	9. Related ECN No(s). B-714-115	10. Related PO No. N/A
--	------------------------------------	---------------------------

11a. Modification Work <input type="checkbox"/> Yes (fill out Blk. 11b) <input checked="" type="checkbox"/> No (NA Blks. 11b, 11c, 11d)	11b. Work Package Doc. No. N/A	11c. Complete Installation Work N/A	11d. Complete Restoration (Temp. ECN only) N/A
Cog. Engineer Signature & Date		Cog. Engineer Signature & Date	

12. Description of Change SC-3

Block 8: H-2-77638, Sh 3, Rev 1


APPROVED FOR PUBLIC RELEASE

SEE PAGE 3 FOR DESCRIPTION OF CHANGES

13a. Justification (mark one)	Criteria Change <input type="checkbox"/>	Environmental <input type="checkbox"/>	Facilitate Const. <input type="checkbox"/>
Design Error/Omission <input checked="" type="checkbox"/>	Design Improvement <input type="checkbox"/>	As-Found <input type="checkbox"/>	Const. Error/Omission <input type="checkbox"/>

13b. Justification Details

Dimensions for minimum horizontal clearance of conductors were not per the requirements of ANSI C2.

14. Distribution (include name, MSIN, and no. of copies)	
KEH DISTRIBUTION	J. K. Epperley R1-29
Const Doc Cntl E2-50	K. S. McCullough N1-83
	R. K. Sanan [4] R4-05
WHC DISTRIBUTION	T. W. Staehr (PE) R3-27
Project Files R1-28	J. E. Vanbeek R3-27
R. E. Clayton S1-54	G. H. Weissberg R3-10
M. W. Cling H4-57	DOE/A. G. Lassila A5-10
STA. 6 T2-03	
STA. 10 43-87	Ron Brunk H4-57

RELEASE STAMP

OFFICIAL RELEASE
BY WRC

DATE **OCT 16 1992**

Stov. 4

93129340612

ENGINEERING CHANGE NOTICE

Page 2 of 5

1. ECN (use no. from pg. 1)

B-714-154

15. Design Verification Required <input type="checkbox"/> Yes <input checked="" type="checkbox"/> No	16. Cost Impact <table style="width: 100%;"> <tr> <th style="text-align: center;">ENGINEERING</th> <th style="text-align: center;">CONSTRUCTION</th> </tr> <tr> <td> Additional <input checked="" type="checkbox"/> \$ 1207 Savings <input type="checkbox"/> \$ </td> <td> Additional <input checked="" type="checkbox"/> \$ 3000^{us} Savings <input type="checkbox"/> \$ </td> </tr> </table>	ENGINEERING	CONSTRUCTION	Additional <input checked="" type="checkbox"/> \$ 1207 Savings <input type="checkbox"/> \$	Additional <input checked="" type="checkbox"/> \$ 3000 ^{us} Savings <input type="checkbox"/> \$	17. Schedule Impact (days) <div style="text-align: center; font-size: 1.2em;">N/A</div> Improvement <input type="checkbox"/> Delay <input type="checkbox"/>
ENGINEERING	CONSTRUCTION					
Additional <input checked="" type="checkbox"/> \$ 1207 Savings <input type="checkbox"/> \$	Additional <input checked="" type="checkbox"/> \$ 3000 ^{us} Savings <input type="checkbox"/> \$					

18. Change Impact Review: Indicate the related documents (other than the engineering documents identified on Side 1) that will be affected by the change described in Block 12. Enter the affected document number in Block 19.

SDD/DD	<input type="checkbox"/>	Seismic/Stress Analysis	<input type="checkbox"/>	Tank Calibration Manual	<input type="checkbox"/>
Functional Design Criteria	<input type="checkbox"/>	Stress/Design Report	<input type="checkbox"/>	Health Physics Procedure	<input type="checkbox"/>
Operating Specification	<input type="checkbox"/>	Interface Control Drawing	<input type="checkbox"/>	Spares Multiple Unit Listing	<input type="checkbox"/>
Criticality Specification	<input type="checkbox"/>	Calibration Procedure	<input type="checkbox"/>	Test Procedures/Specification	<input type="checkbox"/>
Conceptual Design Report	<input type="checkbox"/>	Installation Procedure	<input type="checkbox"/>	Component Index	<input type="checkbox"/>
Equipment Spec.	<input type="checkbox"/>	Maintenance Procedure	<input type="checkbox"/>	ASME Coded Item	<input type="checkbox"/>
Const. Spec.	<input type="checkbox"/>	Engineering Procedure	<input type="checkbox"/>	Human Factor Consideration	<input type="checkbox"/>
Procurement Spec.	<input type="checkbox"/>	Operating Instruction	<input type="checkbox"/>	Computer Software	<input type="checkbox"/>
Vendor Information	<input type="checkbox"/>	Operating Procedure	<input type="checkbox"/>	Electric Circuit Schedule	<input type="checkbox"/>
OM Manual	<input type="checkbox"/>	Operational Safety Requirement	<input type="checkbox"/>	ICRS Procedure	<input type="checkbox"/>
FSAR/SAR	<input type="checkbox"/>	IEFD Drawing	<input type="checkbox"/>	Process Control Manual/Plan	<input type="checkbox"/>
Safety Equipment List	<input type="checkbox"/>	Cell Arrangement Drawing	<input type="checkbox"/>	Process Flow Chart	<input type="checkbox"/>
Radiation Work Permit	<input type="checkbox"/>	Essential Material Specification	<input type="checkbox"/>	Purchase Requisition	<input type="checkbox"/>
Environmental Impact Statement	<input type="checkbox"/>	Fac. Proc. Samp. Schedule	<input type="checkbox"/>		<input type="checkbox"/>
Environmental Report	<input type="checkbox"/>	Inspection Plan	<input type="checkbox"/>		<input type="checkbox"/>
Environmental Permit	<input type="checkbox"/>	Inventory Adjustment Request	<input type="checkbox"/>		<input type="checkbox"/>

19. Other Affected Documents: (NOTE: Documents listed below will not be revised by this ECN.) Signatures below indicate that the signing organization has been notified of other affected documents listed below.

Document Number/Revision	Document Number/Revision	Document Number/Revision

20. Approvals

Signature	Date	Signature	Date
OPERATIONS AND ENGINEERING		ARCHITECT-ENGINEER	
Cog./Project Engineer <u><i>M. Steele</i></u>	<u>10/15/92</u>	PE <u><i>C. B.</i></u>	<u>10/14/92</u>
Cog./Project Engr. Mgr. <u><i>M. Steele for E. Van Bock</i></u>	<u>10/15/92</u>	QA <u><i>J. D. ...</i></u>	<u>10-14-92</u>
QA <u><i>W. Mayton</i></u>	<u>10/15/92</u>	Safety <u><i>D. Lundgren</i></u>	<u>10-14-92</u>
Safety _____	_____	Design-ELEC: <u><i>L. R. ...</i></u>	<u>10-14-92</u>
Security _____	_____	Other-ENVR: <u><i>R. H. ...</i></u>	<u>10-14-92</u>
Proj. Prog./Dept. Mgr. _____	_____	PLE: <u><i>...</i></u>	<u>10-14-92</u>
Def. React. Div. _____	_____	CGA: <u><i>J. A. ...</i></u>	<u>10-14-92</u>
Chem. Proc. Div. _____	_____		
Def. Wst. Mgmt. Div. _____	_____		
Adv. React. Dev. Div. _____	_____		
Proj. Dept. _____	_____		
Environ. Div. _____	_____		
IRM Dept. _____	_____		
Facility Rep. (Ops.) _____	_____		
Other _____	_____		

93129340613

H-2-77638, Sh 3, Rev 1 (Affects ECN B-714-115, pg 8)

Elevation 4 (Z A7-C8) & Plan (Z C7-D8): Replace - see page 4 and 5 of this ECN.

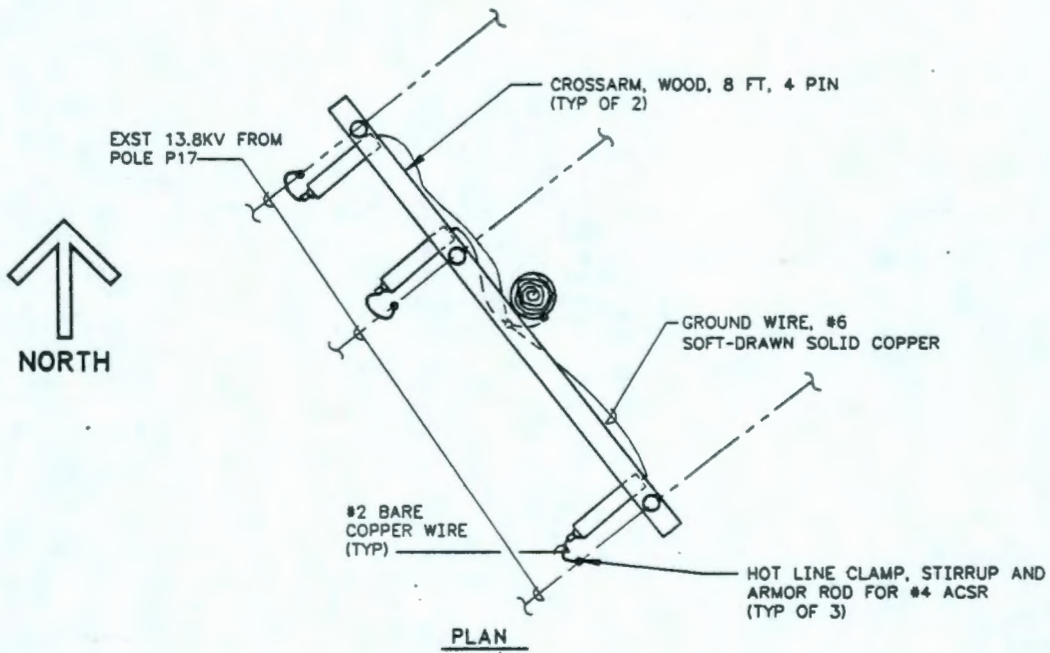
REGISTERED ENGINEER REVIEW - ELEC ONLY



EXPIRES 5/30/93

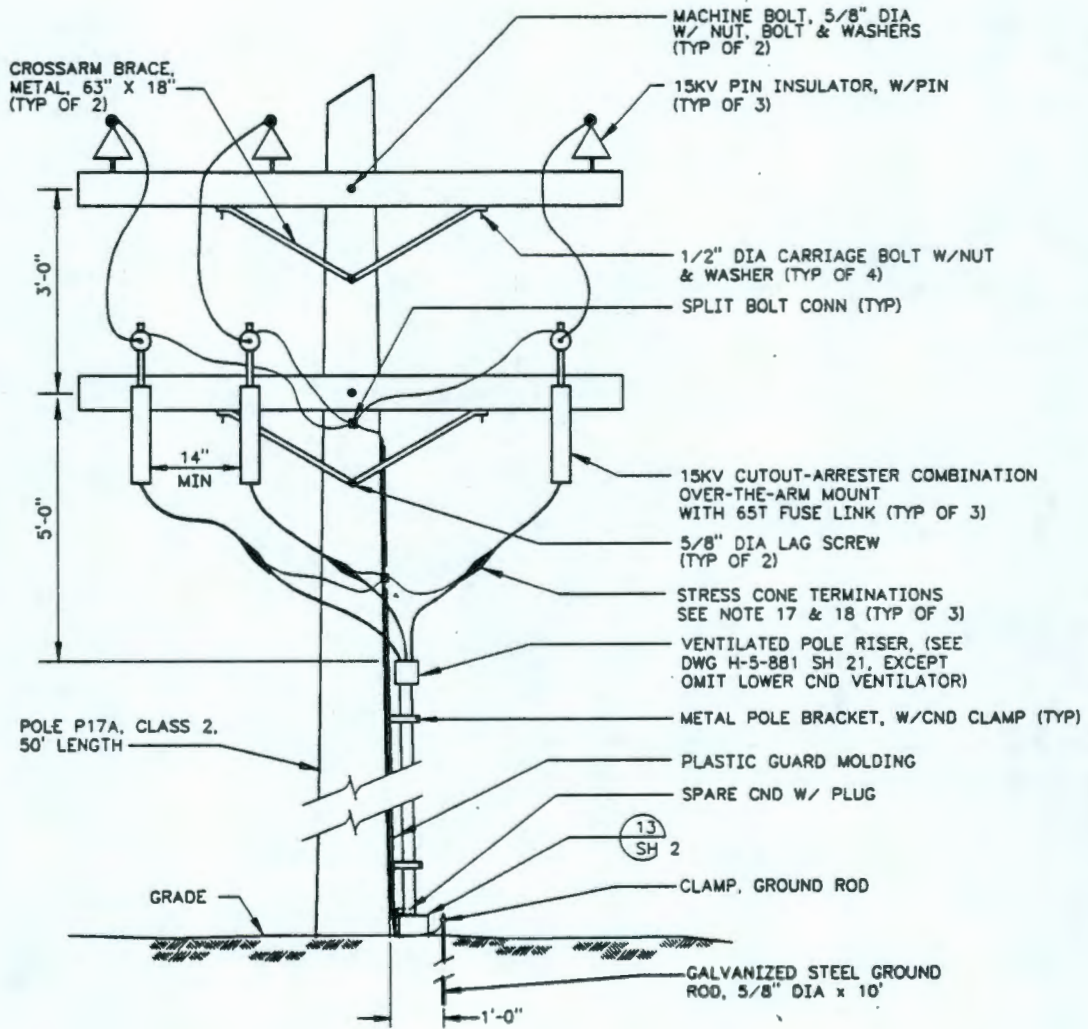
93129340614

Ref. Dwg. H-2-77638	Sh. 3	Rev. 1	Prepared By TE COYNE	Checked By <i>A.P. Smurkita</i>	ECN No. B-714-154	Page 4/5
------------------------	----------	-----------	-------------------------	------------------------------------	----------------------	-------------



93129340615

Ref. Dwg. H-2-77638	Sh. 3	Rev. 1	Prepared By TE COYNE	Checked By <i>A.P. Smith</i>	ECN No. B-714-154	Page 5/5
------------------------	----------	-----------	-------------------------	---------------------------------	----------------------	-------------



ELEVATION

POLE P17A
LOOKING NORTHEAST

4
H-2-77634

93129340616