

START 9613389.0174

0040174



Mr. John Grantham
State of Washington
Department of Ecology
Nuclear & Mixed Waste Program
P. O. Box 47600
Olympia, WA 98504-7600

FLUOR DANIEL, INC.

Date: September 30, 1993

Reference: Hanford Waste Vitrification Plant
DOE Contract DE-AC06-86RL10838
Fluor Contract 8457

Transmittal No.: WDOE-646

Dear Mr. Grantham:

TRANSMITTAL

We enclose 2 copy of the items listed below. These are issued per US-DOE request.

Response due to Fluor: N/A
Responds to: B210A PACKAGE

NUMBER	REV	DATE	TITLE
DCN - 0084	0	09/30/93	INCREASED MELTER CAPACITY CDC CANISTER STORAGE RACK "(title)" "APPROVED FOR CONSTRUCTION"

Reference: FRP-1219, FUP-657
Distribution:
R. L. Long: DOE-RL, w/0
TWP/AME Corresp Cntrl Cntr, MSIN A5-10
(B210A PACKAGE), w/0
P. Feise, WHC-RL (MSIN G6-06), w/1
Environmental Data Management Center
(MSIN H6-08), w/1
D. Duncan, US EPA, Region X, w/0

Very truly yours,

Rosalie Cadenas for
R.S. Poulter
Project Director

RSP::PP:jjjs



9613389.0175



FLUOR DANIEL

US DEPARTMENT OF ENERGY
HANFORD WASTE VITRIFICATION PLANT

DESIGN CHANGE NOTICE

DCN - 0084

REV 0

PAGE 1 OF 7

DCN TITLE
INCREASED MELTER
CAPACITY CDC CANISTER
STORAGE RACK

DATE INITIATED
07/26/93

PACKAGE NO.
B210A

SECTION 1: DESCRIPTION OF CHANGE

REMOVED TBD/HOLD HWVP-FD-367& REVISED
DIRTY CANISTER RACK EMBEDS FOR INCREASED
MELTER CAPACITY

CAUSE OF
CHANGE:

- Field Change Request
- Supplier Disposition
- Deficiency Report
- Design Development
- Change Request
- TBD/Hold
- Other _____

FOR LIST OF AFFECTED DOCUMENTS, SEE SECTIONS 6 AND 7.

(REF CR-HWVP-0962)

CR-HWVP-1037

Initiating Document(s)

SECTION 2: EVALUATION

	IF "YES", ADDITIONAL REVIEW REQUIRED BY:	REVIEWER COMMENTS AND SIGNATURE/DATE
WAPA DWG/SPEC? <input checked="" type="checkbox"/> NO <input type="checkbox"/> YES		
QUALITY LEVEL 1 DWG/SPEC? <input type="checkbox"/> NO <input checked="" type="checkbox"/> YES	N.A. P. D. Gannett 9/30/93	
SAFETY CLASS 1 OR 2 DWG/SPEC? <input type="checkbox"/> NO <input checked="" type="checkbox"/> YES	N.A. P. D. Gannett 9/30/93	
SYSTEMS ANALYSES AFFECTED? <input type="checkbox"/> NO <input checked="" type="checkbox"/> YES	ALAN W. A. P. (Signature) 9/30/93	
MULTI-DISCIPLINE CHANGE? <input type="checkbox"/> NO <input checked="" type="checkbox"/> YES	NA P. D. Gannett 9/30/93	
DCN Evaluated by:	Systems <u>D. M. Gannett 9/30/93</u> ADM <u>P. D. Gannett 9/30/93</u> Others _____	

SECTION 3: APPROVED FOR CONSTRUCTION

Originator: E. Gannett Date: 09/30/93
 Project/Resident Field Engineer: D. M. Gannett Date: 9-30-93

SECTION 4: CONCURRENCE

Project Management _____ Date
 Systems _____ Date
 Independent Safety _____ Date
 Quality Assurance _____ Date
 Configuration Management _____ Date

SECTION 5: RELEASED FOR CONSTRUCTION

PE STAMP REQUIRED? NO YES
 WHC _____ Date
 UCAT _____ Date
 DOE _____ Date

COMMENTS:

9613389 0126



FLUOR DANIEL

US DEPARTMENT OF ENERGY
HANFORD WASTE VITRIFICATION PLANT

DESIGN CHANGE NOTICE

DCN - 0084

REV

0

DISCIPLINE

STRUCT

PKG. NO.

B210A

PAGE

2

PREPARED BY: E. AGCAOLI

Date: 7/20/93

DISCIPLINE ENGINEER: E. JORGENSEN

Date: 7/26/93

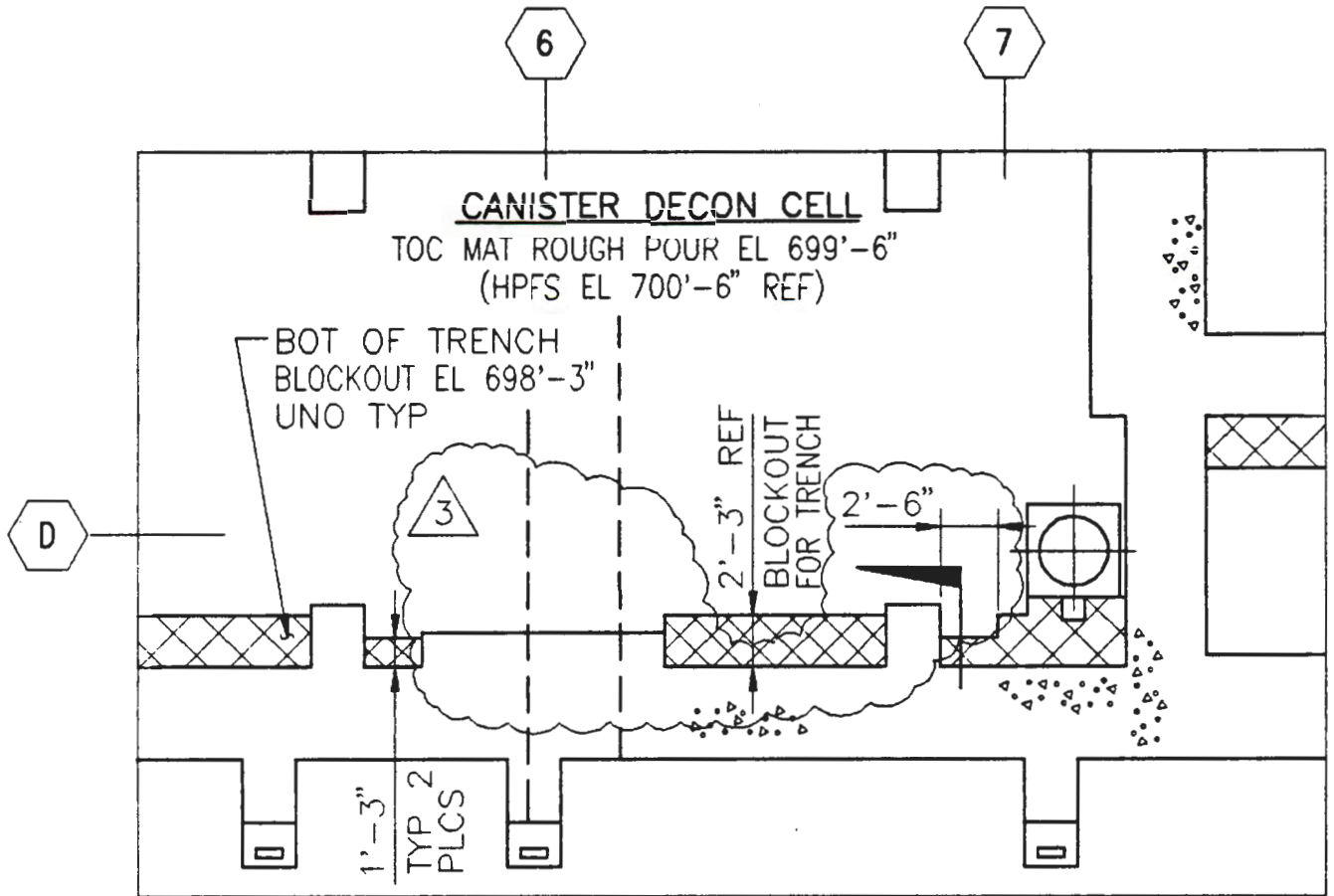
SECTION 6: CONSTRUCTION DOCUMENTS AFFECTED

DOCUMENT NUMBER	SHT/PAGE	REV NO	DOCUMENT NAME	INCLD Y/N	DESCRIPTION OF CHANGE
H-2-117431	1	2	TUNNEL FORMIG PLAN SO. END	Y	SEE PAGE 3
H-2-117437	1	2	TUNNEL MAT REINF PLAN	Y	SEE PAGE 4
H-2-117445	1	2	TUNNEL FLOOR PLAN	Y	SEE PAGE 5
H-2-118234	1	2	STRUCT SECTIONS AND DETAILS	Y	SEE PAGE 6
H-2-118281	6	0	TRUNNION LINER	Y	SEE PAGE 7

SECTION 7: NON-CONSTRUCTION DOCUMENTS AFFECTED

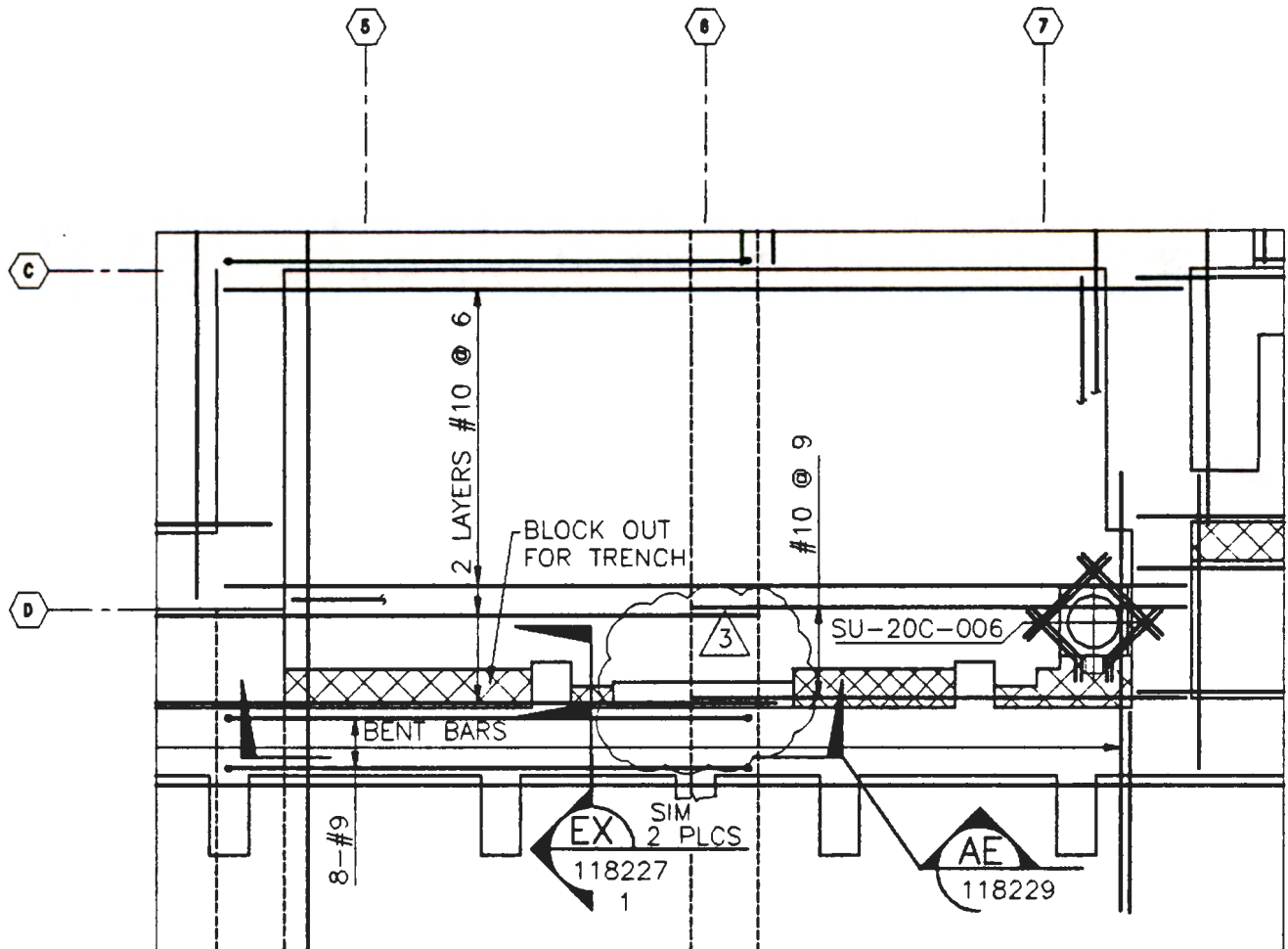
This section references affected items such as P&IDs or calculations/analyses, but they are generally not included in DCN package.


DOCUMENT NUMBER	SHT/PAGE	REV NO	DOCUMENT NAME	DESCRIPTION OF CHANGE

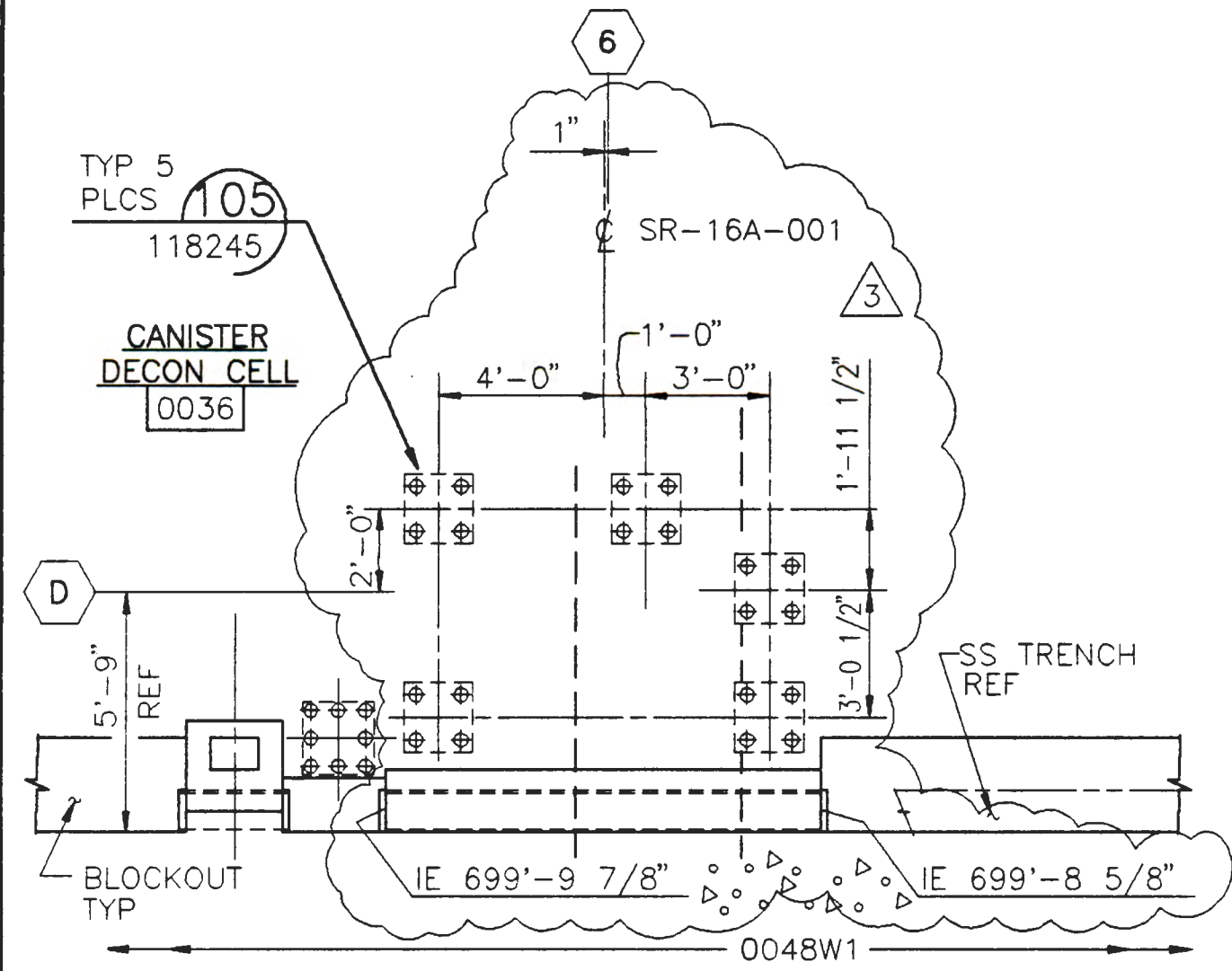


FLUOR DANIEL		U.S. DEPARTMENT OF ENERGY HANFORD WASTE VITRIFICATION PLANT		DESIGN CHANGE NOTICE	
DESCRIPTION OF CHANGE: INCREASED WIDTH OF PILASTER FOR THE REVISED DIRTY CANISTER STORAGE RACK				BASE DOC. NO. H-2-117431 SHT/PG. 1 REV. 2 CR NO. CR-HWVP-1037 (D2)	
				DISCIPLINE: STRUCTURAL	
PREPARED BY: E. AGCAOILI/ A. IZURIETA		DATE: 08/05/93		DCN - 0084	
DISCIPLINE ENGINEER: E. JORGENSEN		DATE: 08/27/93			

9613389.0178

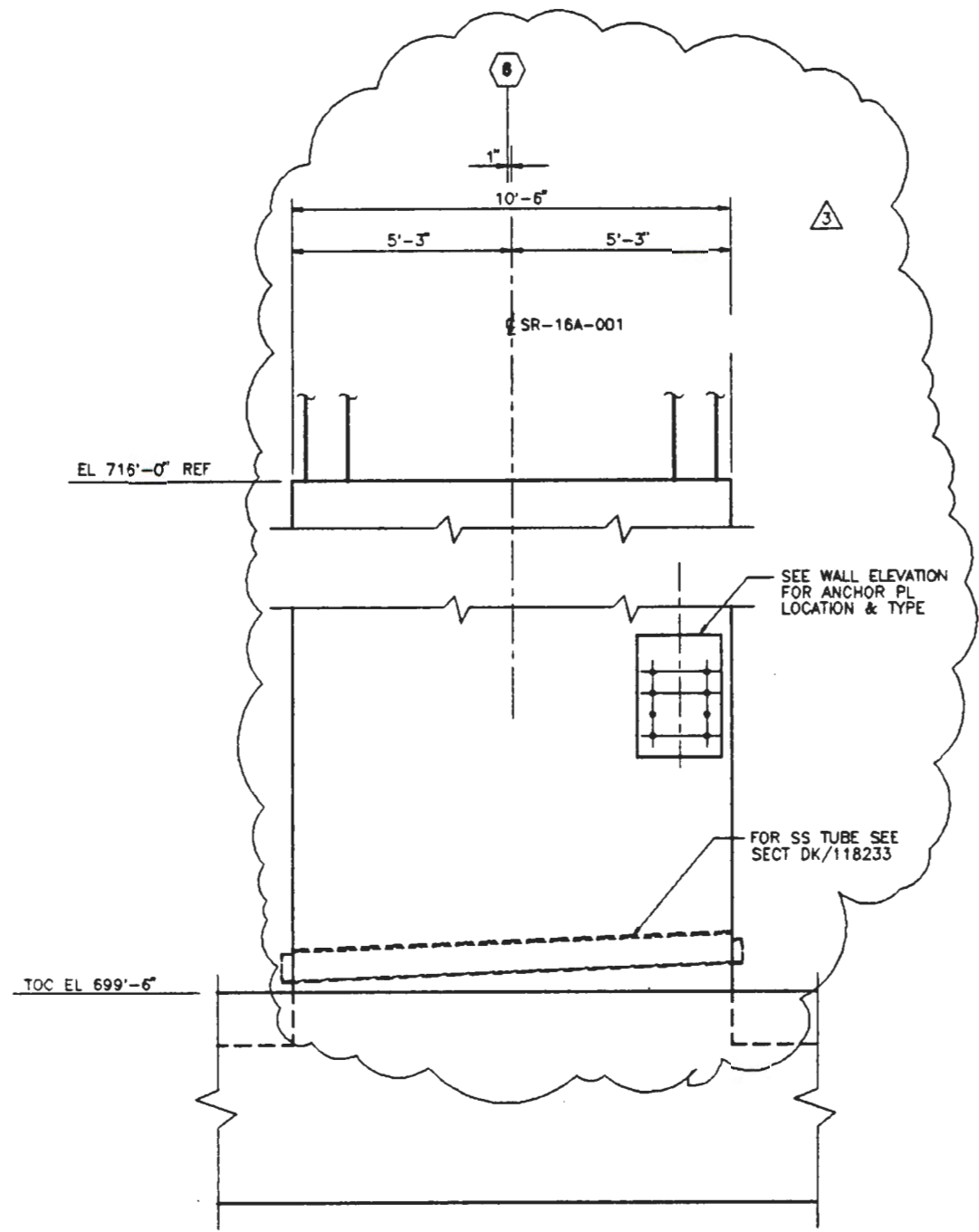


 FLUOR DANIEL		U.S. DEPARTMENT OF ENERGY HANFORD WASTE VITRIFICATION PLANT		DESIGN CHANGE NOTICE	
DESCRIPTION OF CHANGE: INCREASED WIDTH OF PILASTER FOR THE REVISED DIRTY CANISTER STORAGE RACK				BASE DOC. NO. H-2-117437 SHT/PG. 1 REV. 2 CR NO. CR-HWVP-1037 (D2) DISCIPLINE: STRUCTURAL	
PREPARED BY: E. AGCAOILI/ A. IZURIETA		DATE: 08/05/93		DCN - 0084	
DISCIPLINE ENGINEER: E. JORGENSEN		DATE: 08/27/93			



FLUOR DANIEL		U.S. DEPARTMENT OF ENERGY HANFORD WASTE VITRIFICATION PLANT		DESIGN CHANGE NOTICE	
DESCRIPTION OF CHANGE: RELOCATED ANCHOR SUPPORTS FOR THE REVISED DIRTY CANISTER STORAGE RACK				BASE DOC. NO. H-2-117445 SHT/PG. 1 REV. 2 CR NO. CR-HWVP-1037 (D2)	
				DISCIPLINE: STRUCTURAL	
PREPARED BY: E. AGCAOILI/A. IZURIETA		DATE: 07/30/93		DCN - 0084	
DISCIPLINE ENGINEER: E. JORGENSEN		DATE: 08/27/93		REV. 0 PAGE 5	

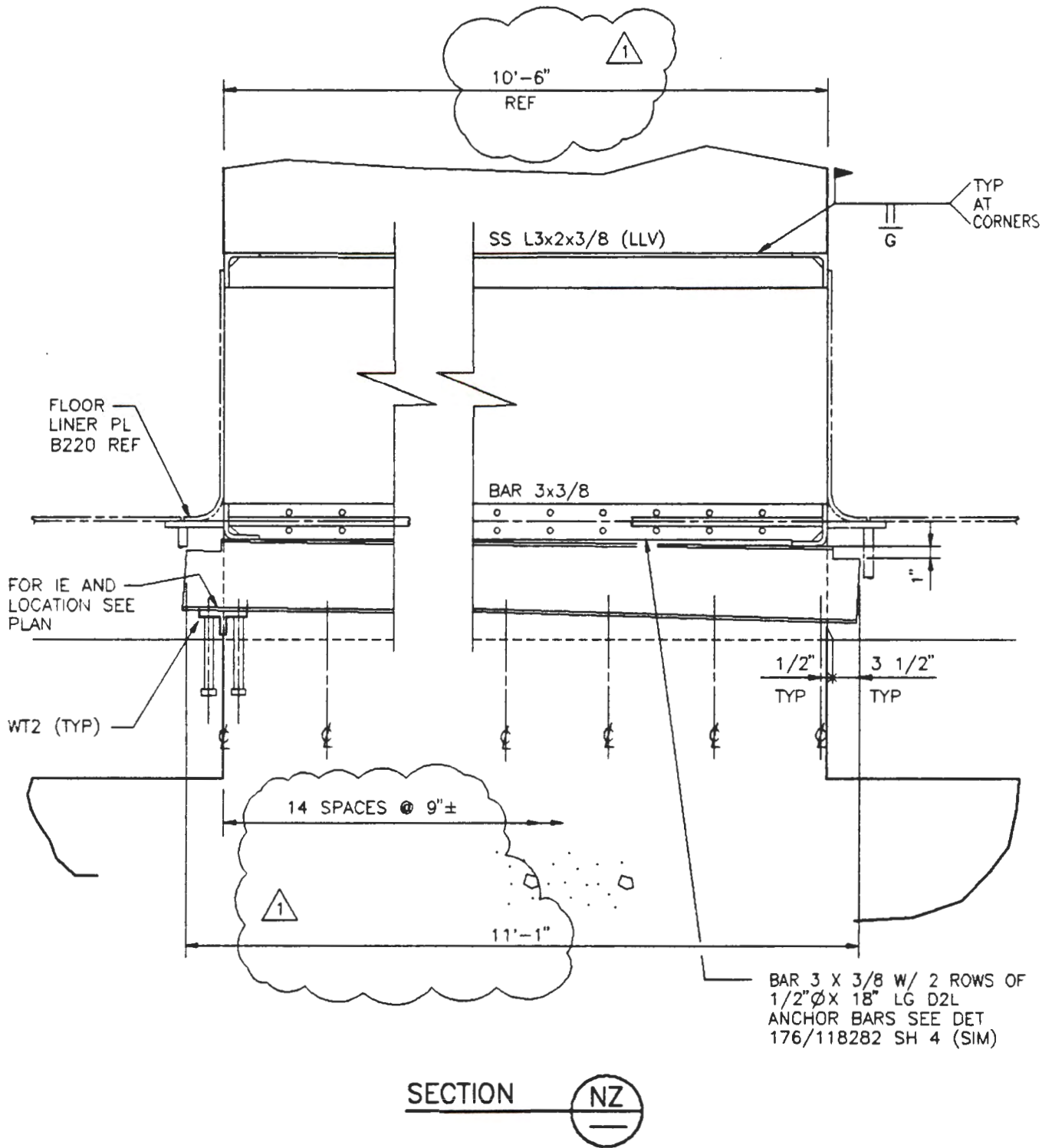
9613309.0100



SECTION **DL**
SCALE: 1/2" = 1'-0"

FLUOR DANIEL	U.S. DEPARTMENT OF ENERGY HANFORD WASTE VITRIFICATION PLANT		DESIGN CHANGE NOTICE			
	DESCRIPTION OF CHANGE: INCREASED WIDTH OF PILASTER AND RELOCATED ANCHOR PLATE FOR THE REVISED DIRTY CANISTER STORAGE RACK		BASE DOC. NO. H-2-118234 SHT/PG. 1 REV. 2 CR NO. CR-HWVP-1037 (D2)	DISCIPLINE: STRUCTURAL		
PREPARED BY: E. AGCAOILI/A. IZURIETA	DATE: 07/30/93	DISCIPLINE ENGINEER: E. JORGENSEN	DATE: 08/27/93	DCN - 0084	REV. 0	PAGE 6

9613309.0181



FLUOR DANIEL	U.S. DEPARTMENT OF ENERGY HANFORD WASTE VITRIFICATION PLANT	DESIGN CHANGE NOTICE		
DESCRIPTION OF CHANGE: INCREASED WIDTH OF PILASTER AND LENGTH OF SS TUBE FOR THE REVISED DIRTY CANISTER STORAGE RACK		BASE DOC. NO. H-2-118281 SHT/PG. 6 REV. 0 CR NO. CR-HWVP-1037 (D2) DISCIPLINE: STRUCTURAL		
PREPARED BY: E. AGCAOILI/A. IZURIETA	DATE: 08/03/93	DCN - 0084	REV. 0	PAGE 7
DISCIPLINE ENGINEER: E. JORGENSEN	DATE: 08/27/93			