

START

0025138 7

ENGINEERING CHANGE NOTICE

Page 1 of 6

1. ECN ~~XXXXXXXXXX~~

Proj. ECN B-714-148

2. ECN Category (mark one) Supplemental <input checked="" type="checkbox"/> Direct Revision <input type="checkbox"/> Change ECN <input type="checkbox"/> Temporary <input type="checkbox"/> Standby <input type="checkbox"/> Supersedure <input type="checkbox"/> Cancel/Void <input type="checkbox"/>	3. Originator's Name, Organization, MSIN, and Telephone No. T. E. Coyne, KEH, E6-42, 6-2564		4. Date 09-17-92
	5. Project Title/No./Work Order No. GROUTED WASTE DISPOSAL FACILITIES B-714/ER8007	6. Bldg./Sys./Fac. No. 218-E-16	7. Impact Level 3Q/SC-2
	8. Document Numbers Changed by this ECN (includes sheet no. and rev.) SEE BLOCK 12	9. Related ECN No(s). B-714-142	10. Related PO No. N/A
11a. Modification Work <input type="checkbox"/> Yes (fill out Blk. 11b) <input checked="" type="checkbox"/> No (NA Blks. 11b, 11c, 11d)	11b. Work Package No. N/A	11c. Modification Work Complete N/A _____ Cog. Engineer Signature & Date	11d. Restored to Original Condition (Temp. ECN only) N/A _____ Cog. Engineer Signature & Date

12. Description of Change SC-3

Block 8: H-2-77638 SH 2, REV 1
 H-2-77641 SH 1, REV 2
 H-2-77643 SH 1, REV 1
 H-2 78507 SH 1, REV 2
 H-2-78509 SH 1, REV 1

APPROVED FOR PUBLIC RELEASE

SPECIFICATION B-714-C2, REV 1 (V-B714C2-003) 10/22/92 N. Dolis

 DESCRIPTION OF CHANGES ON SUCCEEDING PAGES



13a. Justification (mark one)	Criteria Change <input type="checkbox"/>	Design Improvement <input checked="" type="checkbox"/>	Environmental <input type="checkbox"/>
As-Found <input checked="" type="checkbox"/>	Facilitate Const. <input checked="" type="checkbox"/>	Const. Error/Omission <input type="checkbox"/>	Design Error/Omission <input checked="" type="checkbox"/>

13b. Justification Details

(DE-Item 1A): Terminal box designations not in agreement. (DE-Item 1B, 2A, 2B, 2C): Existing P-TBX-103 was not shown; wire run required and erroneous TBX designation. (DE-Item 5B): Wire not reqd. (FC-Item 2D, 4, 6A): Cost consideration since mfr. min. qty is 5000 ft.; nylon insulated terminal lugs are not required. (DI-Item 3, 5A): Clarification and simplification. (AF-Item 6B, 6C): Some existing pipe test conductors require extension to meet design requirements.

14. Distribution (include name, MSIN, and no. of copies)		RELEASE STAMP	
KEH DISTRIBUTION	J. K. Epperley R1-29	OFFICIAL RELEASE BY WMC DATE SEP 24 1992 <i>Star 4</i>	
Const Doc Cntl E2-50	K. S. McCullough N1-83		
	R. K. Sanan [4] R4-05		
WHC DISTRIBUTION	T. W. Staehr (PE) R3-27		
Project Files R1-28	J. E. Vanbeek R3-27		
M. W. Cling H4-57	G. H. Weissberg R3-10		
T. K. Cordray S1-54	DOE		
STA. 6 T2-03	A. G. Lassila A5-10		
STA. 10 A3-87	Ron Brunk H4-57		
A-7900-013-2 (06/92) GEF095	Lupe Garza L6-76		

93128900116

ENGINEERING CHANGE NOTICE

15. Design Verification Required <input type="checkbox"/> Yes <input checked="" type="checkbox"/> No	16. Cost Impact <table style="width: 100%;"> <tr> <td style="width: 50%; text-align: center;">ENGINEERING</td> <td style="width: 50%; text-align: center;">CONSTRUCTION</td> </tr> <tr> <td>Additional Savings <input type="checkbox"/> \$</td> <td>Additional Savings <input type="checkbox"/> \$</td> </tr> <tr> <td style="text-align: center;">M \$1420²</td> <td style="text-align: center;">0⁰⁰</td> </tr> </table>	ENGINEERING	CONSTRUCTION	Additional Savings <input type="checkbox"/> \$	Additional Savings <input type="checkbox"/> \$	M \$1420 ²	0⁰⁰	17. Schedule Impact (days) Improvement <input type="checkbox"/> Delay <input type="checkbox"/> N/A
ENGINEERING	CONSTRUCTION							
Additional Savings <input type="checkbox"/> \$	Additional Savings <input type="checkbox"/> \$							
M \$1420 ²	0⁰⁰							

18. Change Impact Review: Indicate the related documents (other than the engineering documents identified on Side 1) that will be affected by the change described in Block 12. Enter the affected document number in Block 19.

SDD/DD <input type="checkbox"/>	Seismic/Stress Analysis <input type="checkbox"/>	Tank Calibration Manual <input type="checkbox"/>
Functional Design Criteria <input type="checkbox"/>	Stress/Design Report <input type="checkbox"/>	Health Physics Procedure <input type="checkbox"/>
Operating Specification <input type="checkbox"/>	Interface Control Drawing <input type="checkbox"/>	Spares Multiple Unit Listing <input type="checkbox"/>
Criticality Specification <input type="checkbox"/>	Calibration Procedure <input type="checkbox"/>	Test Procedures/Specification <input type="checkbox"/>
Conceptual Design Report <input type="checkbox"/>	Installation Procedure <input type="checkbox"/>	Component Index <input type="checkbox"/>
Equipment Spec. <input type="checkbox"/>	Maintenance Procedure <input type="checkbox"/>	ASME Coded Item <input type="checkbox"/>
Const. Spec. <input type="checkbox"/>	Engineering Procedure <input type="checkbox"/>	Human Factor Consideration <input type="checkbox"/>
Procurement Spec. <input type="checkbox"/>	Operating Instruction <input type="checkbox"/>	Computer Software <input type="checkbox"/>
Vendor Information <input type="checkbox"/>	Operating Procedure <input type="checkbox"/>	Electric Circuit Schedule <input type="checkbox"/>
OM Manual <input type="checkbox"/>	Operational Safety Requirement <input type="checkbox"/>	ICRS Procedure <input type="checkbox"/>
FSAR/SAR <input type="checkbox"/>	IEFD Drawing <input type="checkbox"/>	Process Control Manual/Plan <input type="checkbox"/>
Safety Equipment List <input type="checkbox"/>	Cell Arrangement Drawing <input type="checkbox"/>	Process Flow Chart <input type="checkbox"/>
Radiation Work Permit <input type="checkbox"/>	Essential Material Specification <input type="checkbox"/>	Purchase Requisition <input type="checkbox"/>
Environmental Impact Statement <input type="checkbox"/>	Fac. Proc. Samp. Schedule <input type="checkbox"/>	
Environmental Report <input type="checkbox"/>	Inspection Plan <input type="checkbox"/>	
Environmental Permit <input type="checkbox"/>	Inventory Adjustment Request <input type="checkbox"/>	

19. Other Affected Documents: (NOTE: Documents listed below will not be revised by this ECN.) Signatures below indicate that the signing organization has been notified of other affected documents listed below.

Document Number/Revision	Document Number/Revision	Document Number/Revision
--------------------------	--------------------------	--------------------------

20. Approvals

Signature	Date	Signature	Date
OPERATIONS AND ENGINEERING			
Cog./Project Engineer <u><i>M. Stecher</i></u>	<u>9/23/92</u>	ARCHITECT-ENGINEER	
Cog./Project Engr. Mgr. <u><i>W. F. J. Jones</i></u>	<u>9-23-92</u>	PE <u><i>Q. H. L.</i></u>	<u>9/22/92</u>
QA <u><i>Theron K. Leonard</i></u>	<u>9-23-92</u>	QA <u><i>B.R. Feller</i></u>	<u>9-22-92</u>
Safety _____	_____	Safety <u><i>D. Lundgren</i></u>	<u>9-21-92</u>
Security _____	_____	Design-ELEC: <u><i>W. R. Snow</i></u>	<u>9-18-92</u>
Proj. Prog./Dept. Mgr. _____	_____	Other-SPECS: <u><i>J. E. Breed</i></u>	<u>9-22-92</u>
Def. React. Div. _____	_____	ENVIR: <u><i>R. H. Black</i></u>	<u>9-18-92</u>
Chem. Proc. Div. _____	_____	PLE: <u><i>J. A. Loe</i></u>	<u>9-22-92</u>
Def. Wst. Mgmt. Div. _____	_____	CRA: <u><i>J. A. Loe</i></u>	<u>9-23-92</u>
Adv. React. Dev. Div. _____	_____	DEPARTMENT OF ENERGY	
Proj. Dept. _____	_____	ADDITIONAL	
Environ. Div. _____	_____	_____	_____
IRM Dept. _____	_____	_____	_____
Facility Rep. (Ops.) _____	_____	_____	_____
Other _____	_____	_____	_____

93128980117

**ENGINEERING CHANGE NOTICE
CONTINUATION SHEET**

1) H-2-77638 SH 2. REV 1

- A) Section A (Zone C8): Change ANN-TBX to ANN-TBX-102 or -103
Change TB-P-102 to TB-P-102 or -103
- B) Manhole 103 Plan (Z E6): Add EXST P-TBX-103 as shown on page 5 of this ECN.

2) H-2-77641 SH 1. REV 2

- A) Wire Run List; Add new GWD as follows:

| GWD 86 | 4-1/C | 6 | 1 | P-TBX-103 (EXST) | MH-103 | TB-P-103 | DP-PB-01-13A,-13B,-13C, GND |

- B) Wire Runs GWD82, GWD89 & GWD90: Change P-TBX-103 in "FROM" column to TB-P-103
- C) Wire Run GWD91: Change P-TBX-102 in "FROM" column to TB-P-102
- D) TYPE OF WIRE NOTES, NOTE 7 (Z A7-8): Delete the words "ROCKBESTOS FIREWALL III"

3) H-2-77643 SH 1. REV 1

- A) Manhole Power Terminal Box (Z B-C3): Delete in its entirety.
- B) Add terminal box wiring diagrams as shown on page 6 of this ECN.
- C) Manhole 102A Power Terminal Box (Z C1-D2): Revise as shown on page 6 of this ECN.

4) H-2 78507 SH 1. REV 2

TYPE OF WIRE NOTES, NOTE 7 (Z A7-8): Delete the words "ROCKBESTOS FIREWALL III"

5) H-2-78509 SH 1. REV 1

- A) Manhole 102 Power Terminal Box (Z A3-B4): Revise as shown on page 5 of this ECN.
- B) Manhole 103 Power Terminal Box (Z A-B4): Delete wire from terminal D-PB-01-13C on wire run GWD87

931288980118

**ENGINEERING CHANGE NOTICE
CONTINUATION SHEET**

6) CONSTRUCTION SPECIFICATION B-714-C2 REV 1. SECTION 16640

A) Paragraph 2.1.1 (affects ECN B-714-142, Page 4, Item 8A1):

Delete words "nylon insulated"

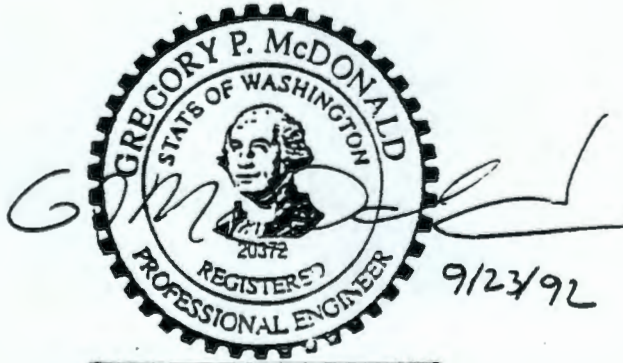
B) Paragraph 2.1.1.1 (affects ECN B-714-142, Page 4 Item 8A2), change from "Deleted." to read as follows:

2.1.1.1 Butt Splice Type, non-insulated.

C) Add new paragraph as follows:

3.3.9.3 Extend conductors in test station enclosures that do not meet length requirements by using same size and type of conductor. Join conductors using crimp type butt splice. Wrap splice joint with two half lapped layers of self-vulcanizing rubber tape and two half lapped layers of plastic insulating tape.

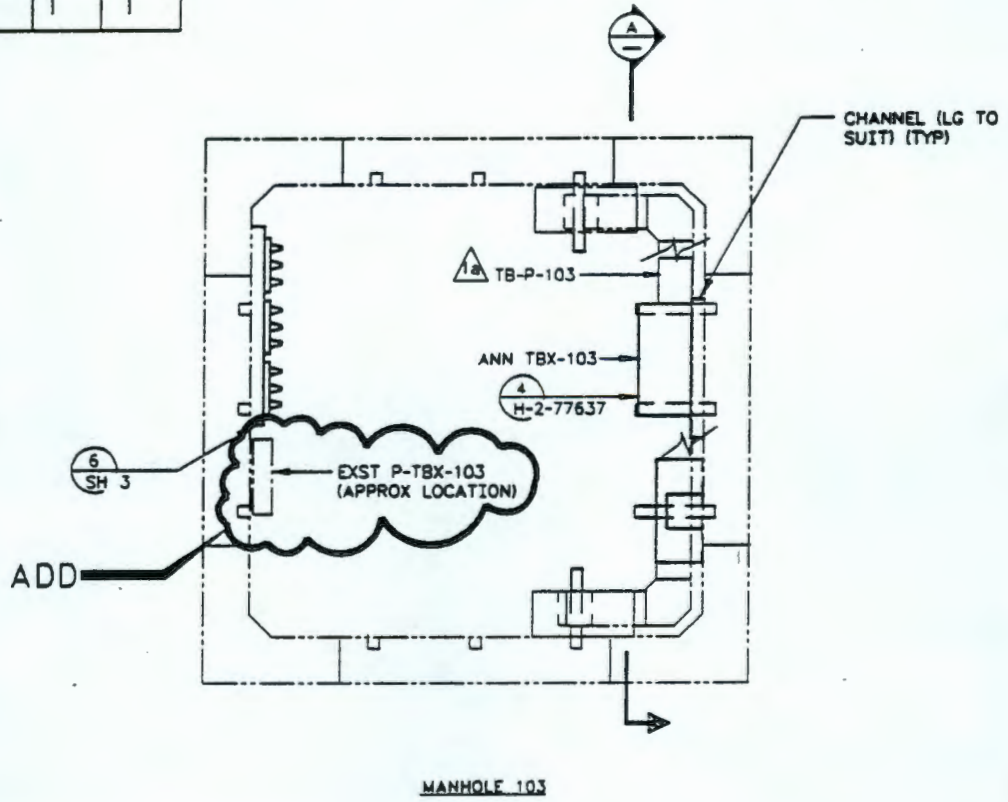
REGISTERED ENGINEER REVIEW - ELECTRICAL ONLY



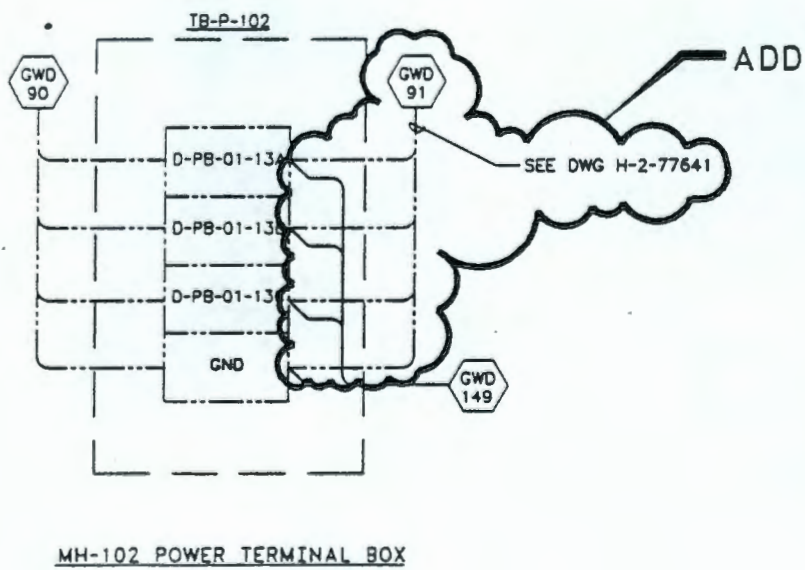
EXPIRES 5/30/93

9312898019

Ref. Dwg. H-2-77638	Sh. 2	Rev. 1	Prepared By TE COYNE	Checked By <i>L.R. [Signature]</i>	ECN No. B-714-148	Page 5/6
H-2-78509	1	1				



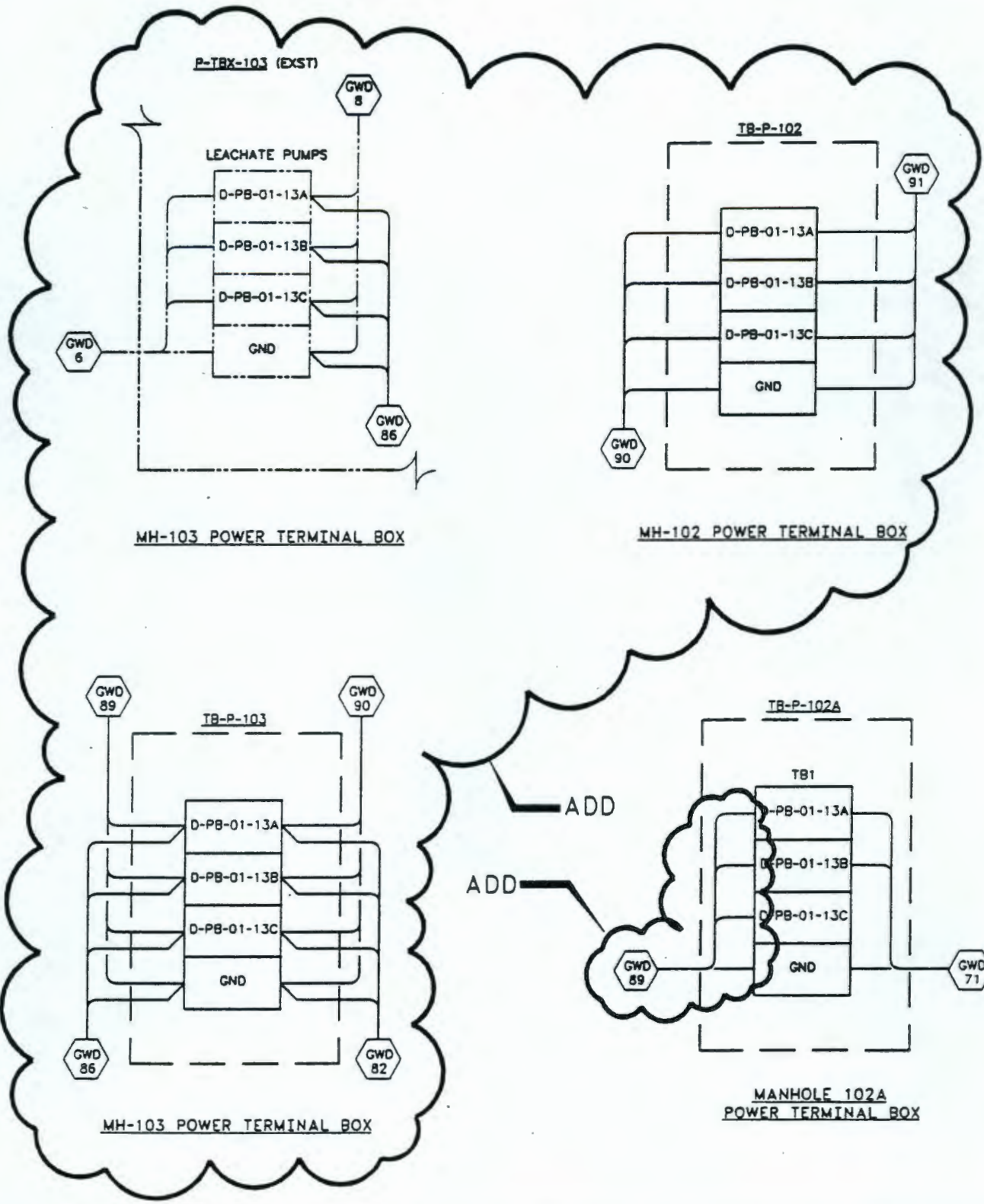
REF DWG H-2-77638 SH 2



REF DWG H-2-78509 SH 1

93128980120

Ref. Dwg. H-2-77643	Sh. 1	Rev. 1	Prepared By TE COYNE	Checked By <i>A. R. Snowhite</i>	ECN No. B-714-148	Page 6/6
------------------------	----------	-----------	-------------------------	-------------------------------------	----------------------	-------------



93128980121

TRADEMARK DISCLAIMER

Reference herein to any specific commercial product, process, or service by trade name, trademark, manufacturer, or otherwise, does not necessarily constitute or imply its endorsement, recommendation, or favoring by the United States Government or any agency thereof or its contractors or subcontractors.

This report has been reproduced from the best available copy.

Printed in the United States of America

DISCLM-4.CHP (1-81)

9 3 1 4 0 0 3 1 1 2 2