

START

91118901767

0010207
1 of 2

EQUIPMENT LIST			
ITEM NO.	EQUIPMENT NUMBER	HEIGHT FEET	DESCRIPTION
1	TC-334-001	15	DESEL TURBINE GENERATOR
2	SG-324-001	8	13.8KV SWGR (NORMAL)
3	SG-334-001	8	13.8KV SWGR (STAND BY)
4	SG-338-001	8	13.8KV SWGR (STAND BY)
5	TC-338-001	15	DESEL TURBINE GENERATOR
6	LC-334-401	8	480V LOAD CENTER (STANDBY)
7	LC-338-401	8	480V LOAD CENTER (STANDBY)
8	MC-334-401	7.5	480V MTR CONTROL CENTER (STANDBY)
9	MC-338-401	7.5	480V MTR CONTROL CENTER (STANDBY)
10	BA-334-501	5	STATION BATTERY
11	BA-338-501	5	STATION BATTERY
12	BL-05Y-712	3	EXHAUST FAN (CEILING MOUNTED)
13	BL-05Y-711	3	EXHAUST FAN (CEILING MOUNTED)
14	AH-05X-716	3	SUPPLY AIR FAN (CEILING MOUNTED)
15	AH-05X-715	3	SUPPLY AIR FAN (CEILING MOUNTED)
16	CU-05X-716	3	AIR COOLED COND. UNIT
17	CU-05X-715	3	AIR COOLED COND. UNIT
18	TBD	6	HVAC PANEL
19	TBD	6	HVAC PANEL



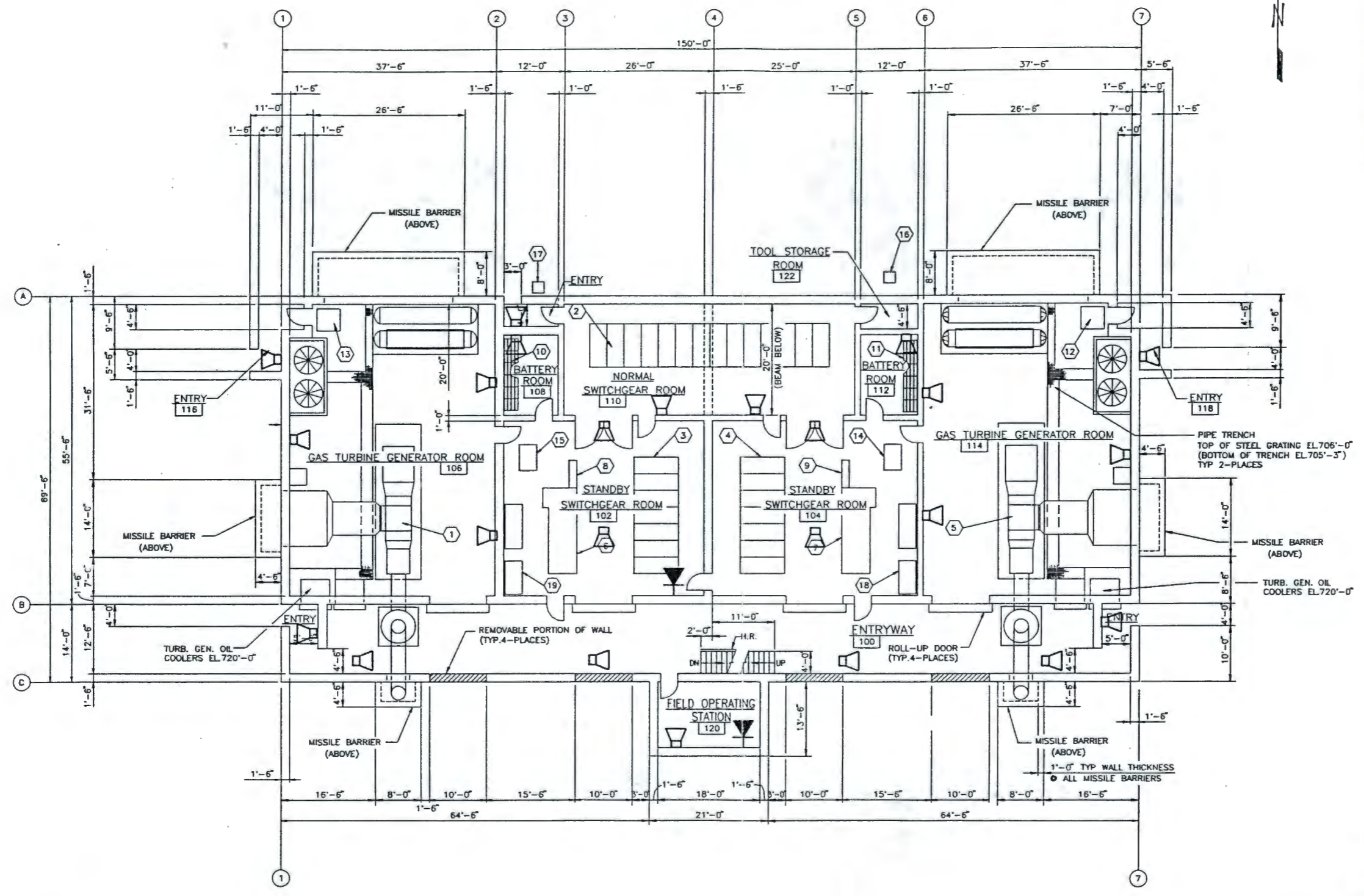
REFERENCE

JUL 30 1990

SYMBOLS

- TELEPHONE OUTLET
- PUBLIC ADDRESS SPEAKER

NOTE:
THIS DRAWING IS ISSUED FOR LOCATION OF COMMUNICATIONS DEVICES ONLY.

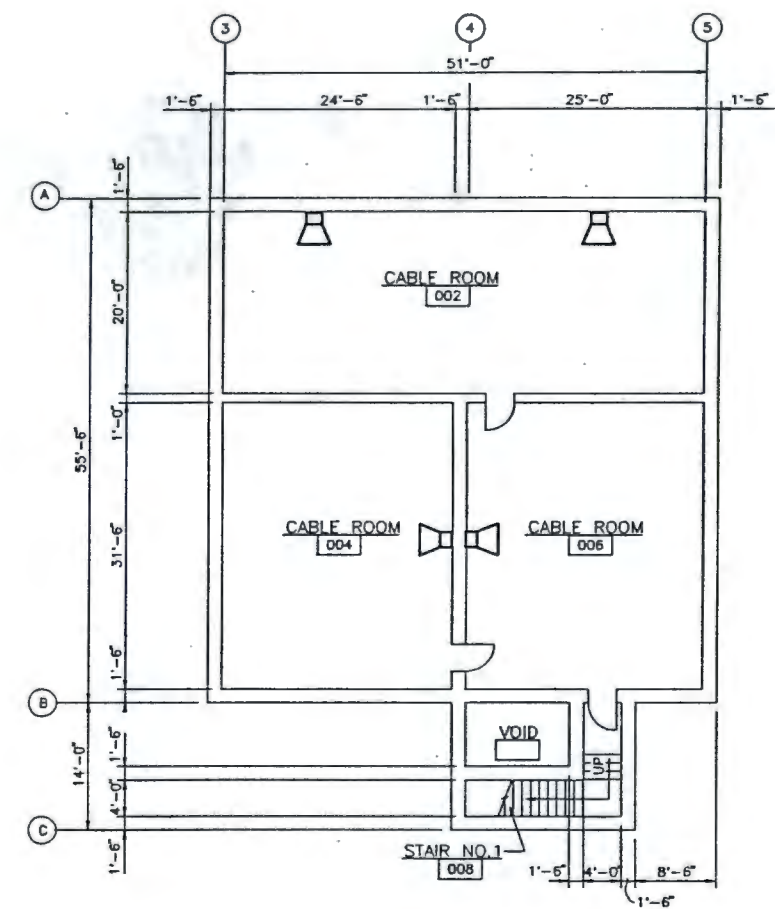


FIRST FLOOR PLAN EL. 706'-0"
UNLESS NOTED OTHERWISE

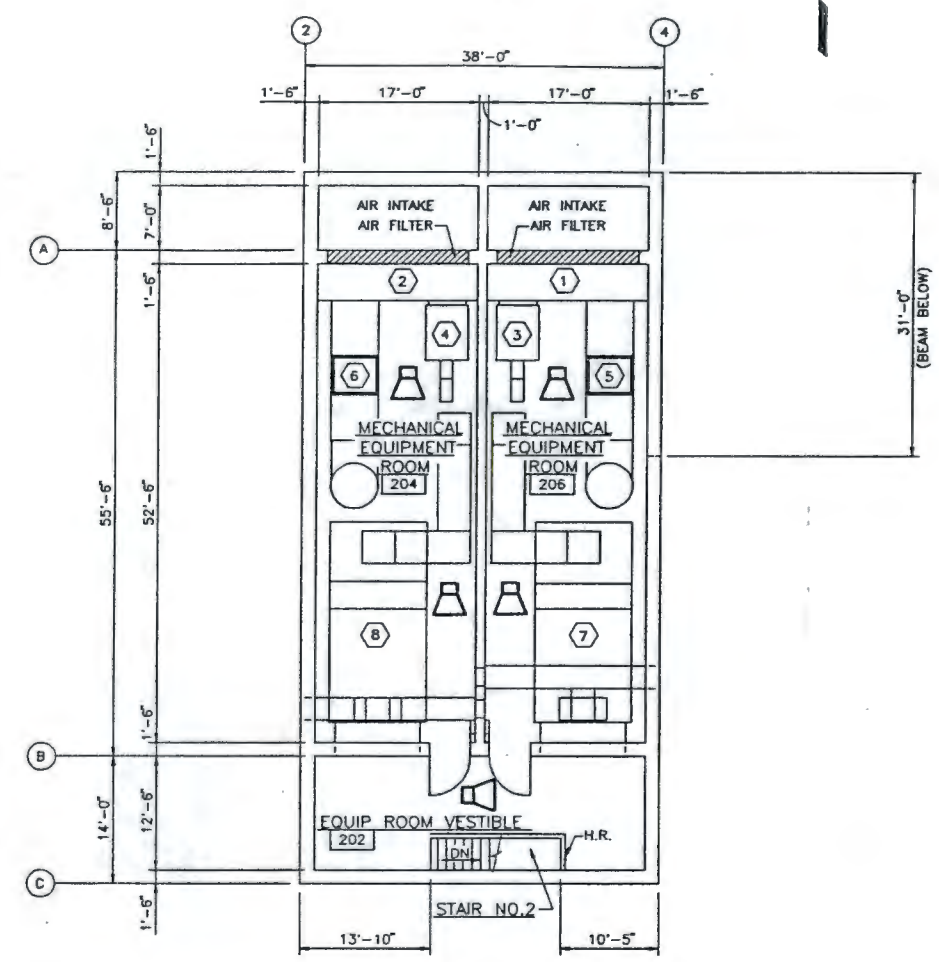
ENGINEERING RELEASE		U.S. DEPARTMENT OF ENERGY	
REV.	DATE	Hanford Operations Office DC - AOCB-080110930	
ERD			
DESIGNED BY			
CHECKED BY			
PROJECT MGR.		FLUOR DANIEL, INC.	
DESIGNED BY		ADVANCED TECHNOLOGY DIVISION	
CHECKED BY		ELECTRICAL COMMUNICATIONS	
PROJECT MGR.		SYSTEMS LAYOUT	
DESIGNED BY		SWITCHGEAR BUILDING	
CHECKED BY		FIRST FLOOR	
PROJECT MGR.		HANFORD WASTE VITRIFICATION PLANT	
DESIGNED BY		PROJECT NO.	84-5724
CHECKED BY		DRAWING NO.	3110
PROJECT MGR.		SCALE	1/8" = 1'-0"
DESIGNED BY		DATE	
CHECKED BY		REV.	
PROJECT MGR.		1	2
DESIGNED BY		H-2-122906	
CHECKED BY		NONE NOT REQ'D	
PROJECT MGR.		CADFILE 12290601	

0010207
2 of 2

ITEM NO.	EQUIPMENT NUMBER	HEIGHT FEET	DESCRIPTION
1		1	SUPPLY AIR PLENUM W/(56) 24X24X4 FILTERS
2		1	SUPPLY AIR PLENUM W/(56) 24X24X4 FILTERS
3	AH-05X-714	4	SUPPLY AIR UNIT SERVE STANDBY SWITCHGEAR ROOM
4	AH-05X-715	4	SUPPLY AIR UNIT SERVE STANDBY SWITCHGEAR ROOM
5	MT-05X-718	7	EXHAUST FAN SERVE GENERATOR ROOM 114
6	MT-05X-717	7	EXHAUST FAN SERVE GENERATOR ROOM 106
7	AHU-05X-712	8	AHU UNIT SERVE SWITCHGEAR RM'S
			STANDBY SWITCHGEAR RM'S & CABLE RM
8	AHU-05X-711	8	AHU UNIT SERVE SWITCHGEAR RM'S
			STANDBY SWITCHGEAR RM'S & CABLE RM'S



BASEMENT PLAN @ EL 694'-6"



SECOND FLOOR PLAN @ EL 727'-0"

REFERENCE
JUL 30 1990

- SYMBOLS**
- ☒ TELEPHONE OUTLET
 - ☒ PUBLIC ADDRESS SPEAKER

NOTE:
THIS DRAWING IS ISSUED FOR LOCATION OF COMMUNICATIONS DEVICES ONLY.

ENGINEERING RELEASE	U.S. DEPARTMENT OF ENERGY
REV. _____ DATE _____	Richard Operations Office
ERO _____	DE - AC05-80R1 1063B
DESIGNER: R. GIBBONS	FLUOR DANIEL, INC.
CHECKER: D. CHAWLA	ADVANCED TECHNOLOGY DIVISION
APPROVER: F. BROOKS	ELECTRICAL COMMUNICATIONS
DATE: 7-27-90	SYSTEMS LAYOUT
PROJECT: HANFORD WASTE VITRIFICATION PLANT	SWITCHGEAR BUILDING
PROJECT NO. B-595	FLOOR PLANS
DATE CONTRACT NO. 845724	
PROJECT NO. 3110	
SCALE: 1/8" = 1'-0"	
DATE: 7-27-90	
BY: S. CLARK	
CHECKED BY: S. CLARK	
APPROVED BY: S. CLARK	
NONE NOT REQ'D	H-2-122906 2 2 A

NO.	DESCRIPTION	DATE	BY

91118901768

